

# AC Close Flow Fan

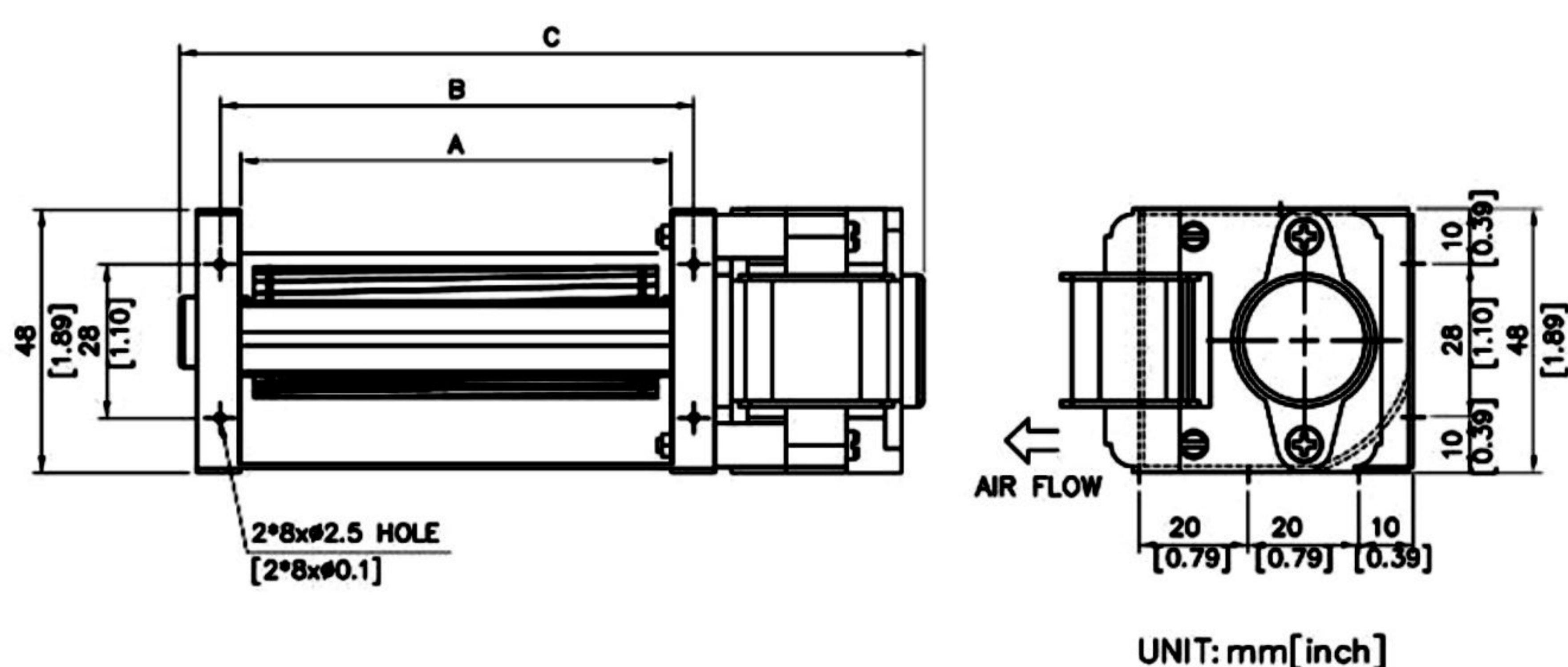
## AFS30



### 제품사진



### 외형도



HOUSING : Metal / Aluminum	DIELECTRIC STRENGTH : 1,500 VAC for 1 minute
IMPELLER : Aluminum, diameter 60 mm	INSULATION : Class E
BEARING : Sleeve or Ball	INSULATION RESISTANCE : 10 MEG Ohms Min @500 VDC
OPERATING TEMPERATURE : Sleeve bearing: -10°C to+70°C Ball bearing: -30°C to+75°C	SAFETY : Impedance Protected
MOTOR TYPE : 2P 1 Φ Capacitor Motor	

### SPECIFICATION

MODEL NO.	DIMENSION (MM)			RATED VOLTAGE (V)	RATED FREQUENCY (Hz)	RATED CURRENT (A)	INPUT POWER (W)	SPEED (RPM)	MAX. AIR PRESSURE (mmH <sub>2</sub> O)	AIR FLOW		NOISE dM(A) @1M	WEIGHT (g)
	A	B	C							CFM	m <sup>3</sup> /min		
AFS30098V1	98	108	154	120	50/60	0.10/0.08	8/7	2700/3200	0.8/1.1	10.6/14.1	0.3/0.4	30/32	390
AFS30098V2	98	108	154	230	50/60	0.06/0.04	8.5/7	2700/3200	0.8/1.1	10.6/14.1	0.3/0.4	30/32	390
AFS30160V1	160	170	222	120	50/60	0.12/0.11	10/8.5	2700/3200	0.9/1.2	21.2/28.3	0.6/0.8	32/35	520
AFS30160V2	160	170	222	230	50/60	0.07/0.06	10.5/9.5	2700/3200	0.9/1.2	21.2/28.3	0.6/0.8	32/35	520
AFS30168V1	198	208	260	120	50/60	0.13/0.11	10/9	2700/3150	1.0/1.4	28.3/31.8	0.8/0.9	32/36	540
AFS30168V2	198	208	260	230	50/60	0.07/0.06	11/9.5	2700/3150	1.0/1.4	28.3/31.8	0.8/0.9		540
AFS30300V1	300	310	366	120	50/60	0.20/0.17	15/13.5	2700/3150	1.1/1.6	49.4/56.5	1.4/1.6	34/37	670
AFS30300V2	300	310	366	230	50/60	0.08/0.07	12.5/11.5	2700/3150	1.1/1.6	49.4/56.5	1.4/1.6	34/37	670

### AIR PERFORMANCE

