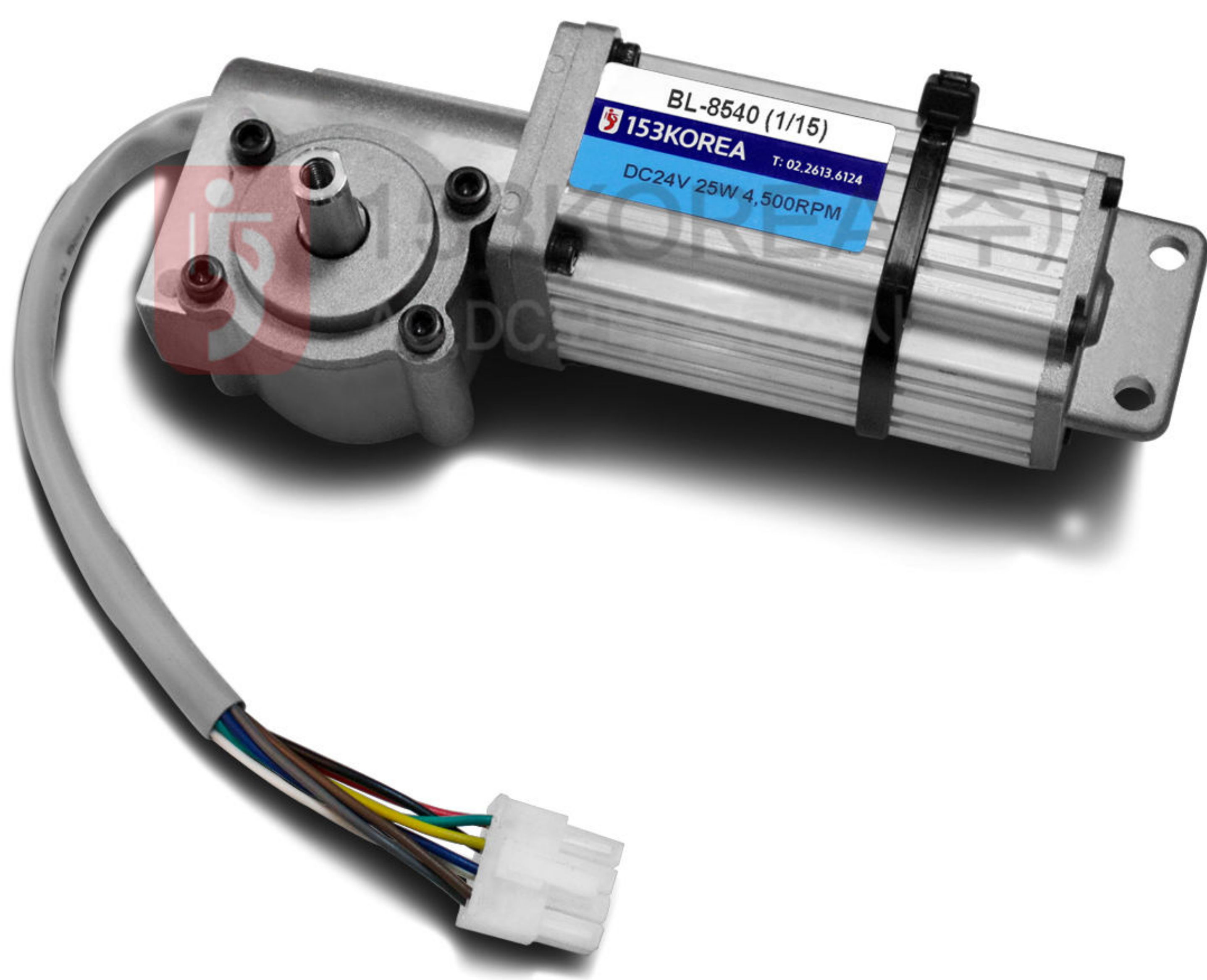
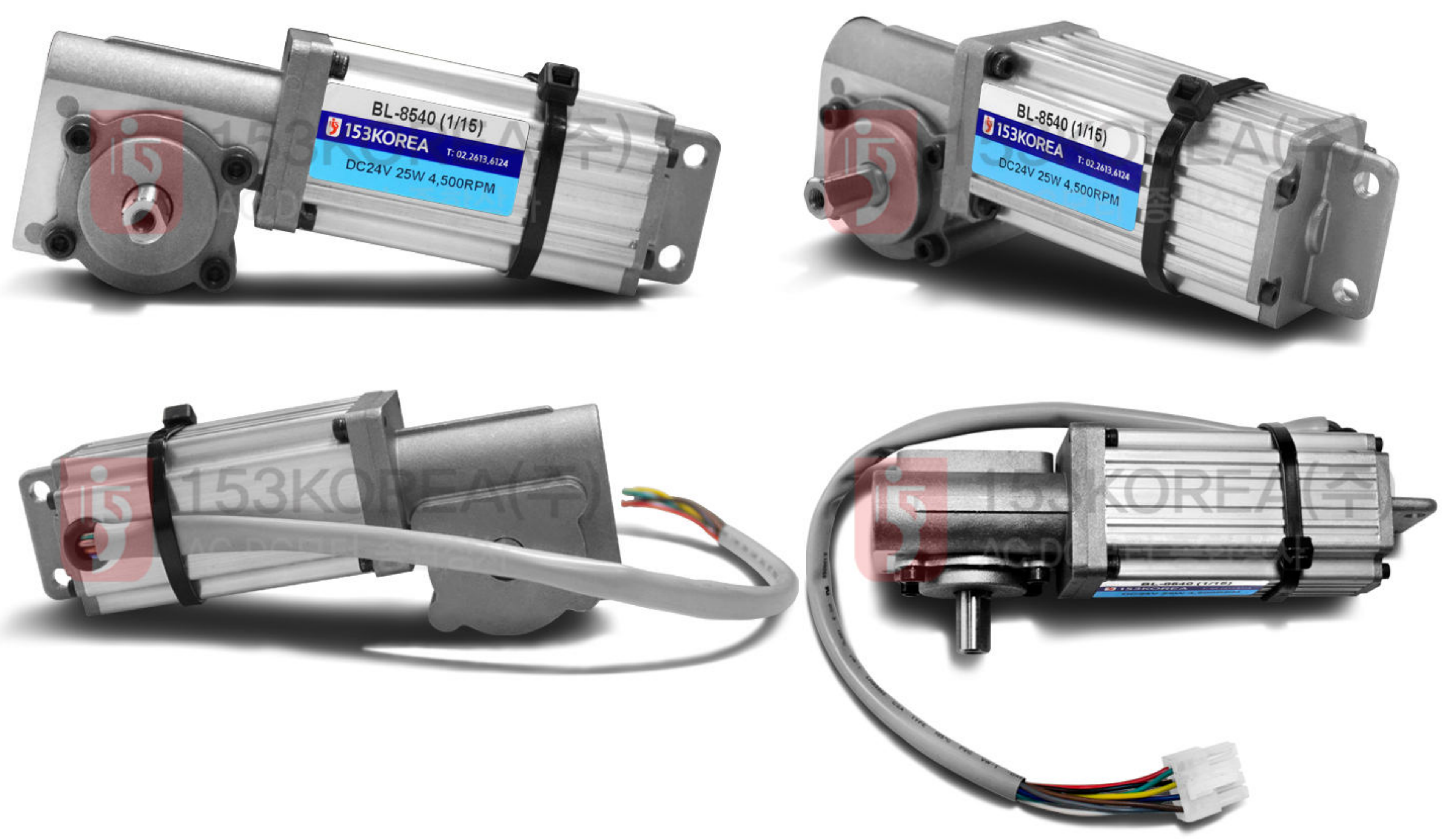


자동문용 BLDC

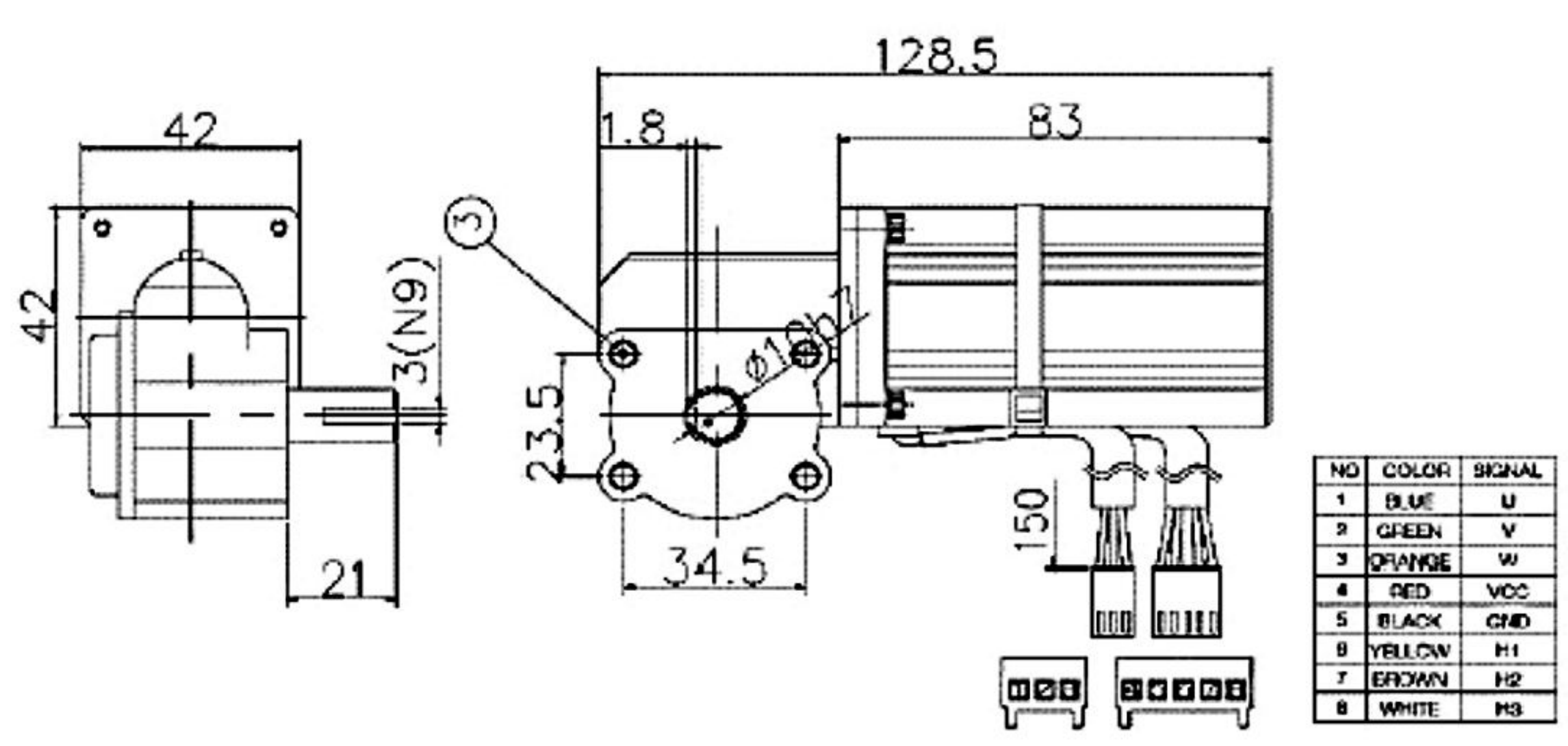
BL-8540



제품사진 / PRODUCT IMAGES



DIMENSION



SPECIFICATION

MODEL	OUTPUT	VOLTAGE		NO LOAD	RATED LOAD (2.0 Kg.cm)	GEAR HEAD
BL-8540(1/15)	25 W	DC 24V	RPM	396 ±10%	228 ±10%	RATIO : 1/14.5
			MOTOR	4300 ±10%	3300±10%	ALLOWED TORQUE : 35 Kg.f.cm
			I (A)	0.5A MAX.	2.0A MAX.	

CHARACTERISTIC CURVE

