

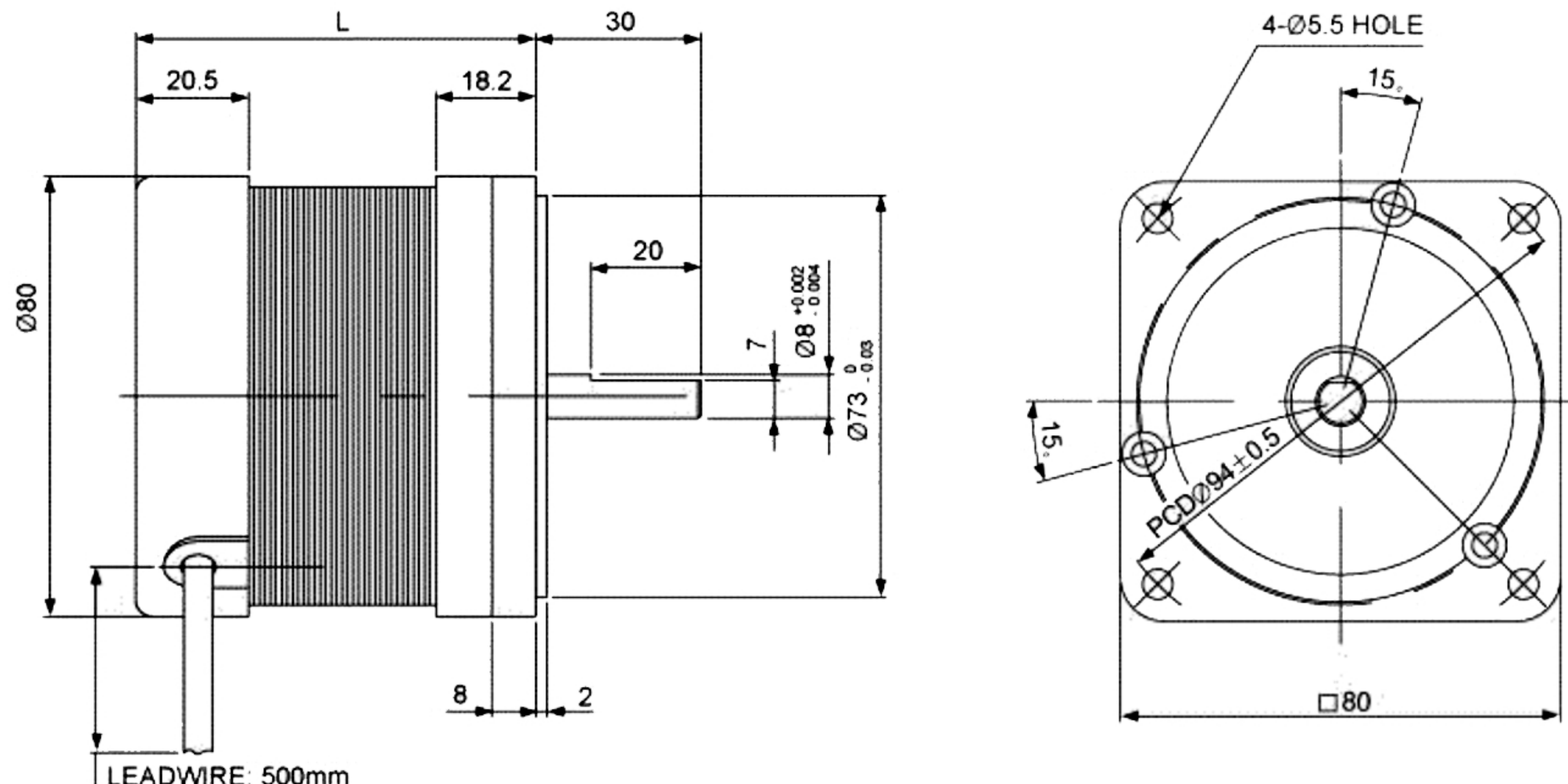
Bldc Motor

BLDC □80

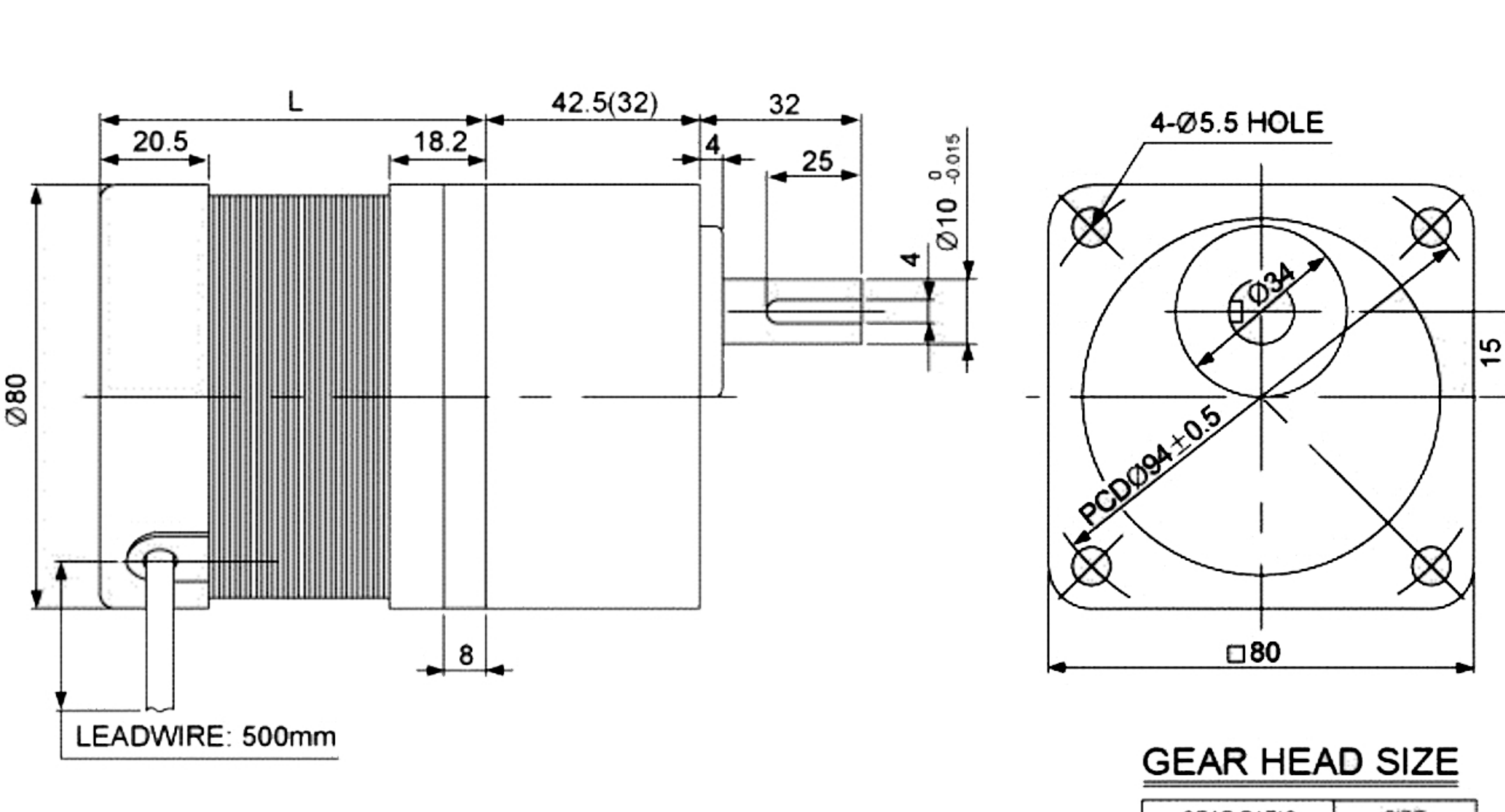


DIMENSIONS(mm)

BD80



BG80



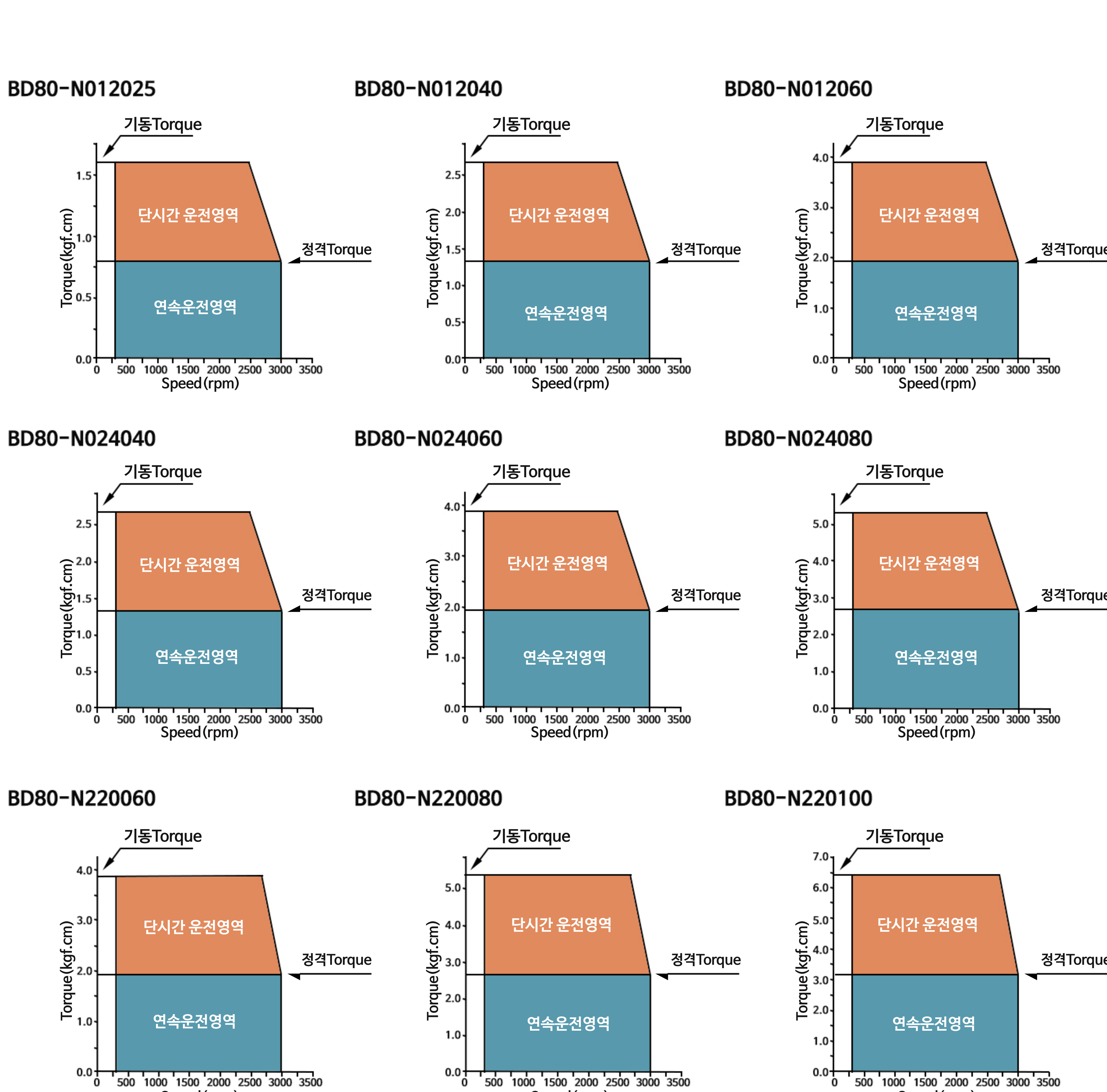
SPECIFICATION

MODEL	BD80									
	N012025	N012040	N012060	N024040	N024060	N024080	N220060	N220080	N220100	
Rated Voltage	V	12			24			220		
Rated Output	W	25	40	60	40	60	80	60	80	100
Rated Current	A	2.6	4.2	6.3	2.0	3.0	4.2	0.5	0.6	0.8
Rated Speed	r/min	3000								
Rated Torque	kgf-cm	0.8	1.3	1.9	1.3	1.9	2.5	1.9	2.5	3.2
Weight	kg	1.4	1.5	1.6	1.4	1.5	1.6	1.4	1.5	1.6
Applicable Driver		SBDM-05A		SBDM-10A		SBDM-05A		SBDM-10A		+SBDSMA-02A/ +SBDSMI-03A/ +SBDSMS-03A

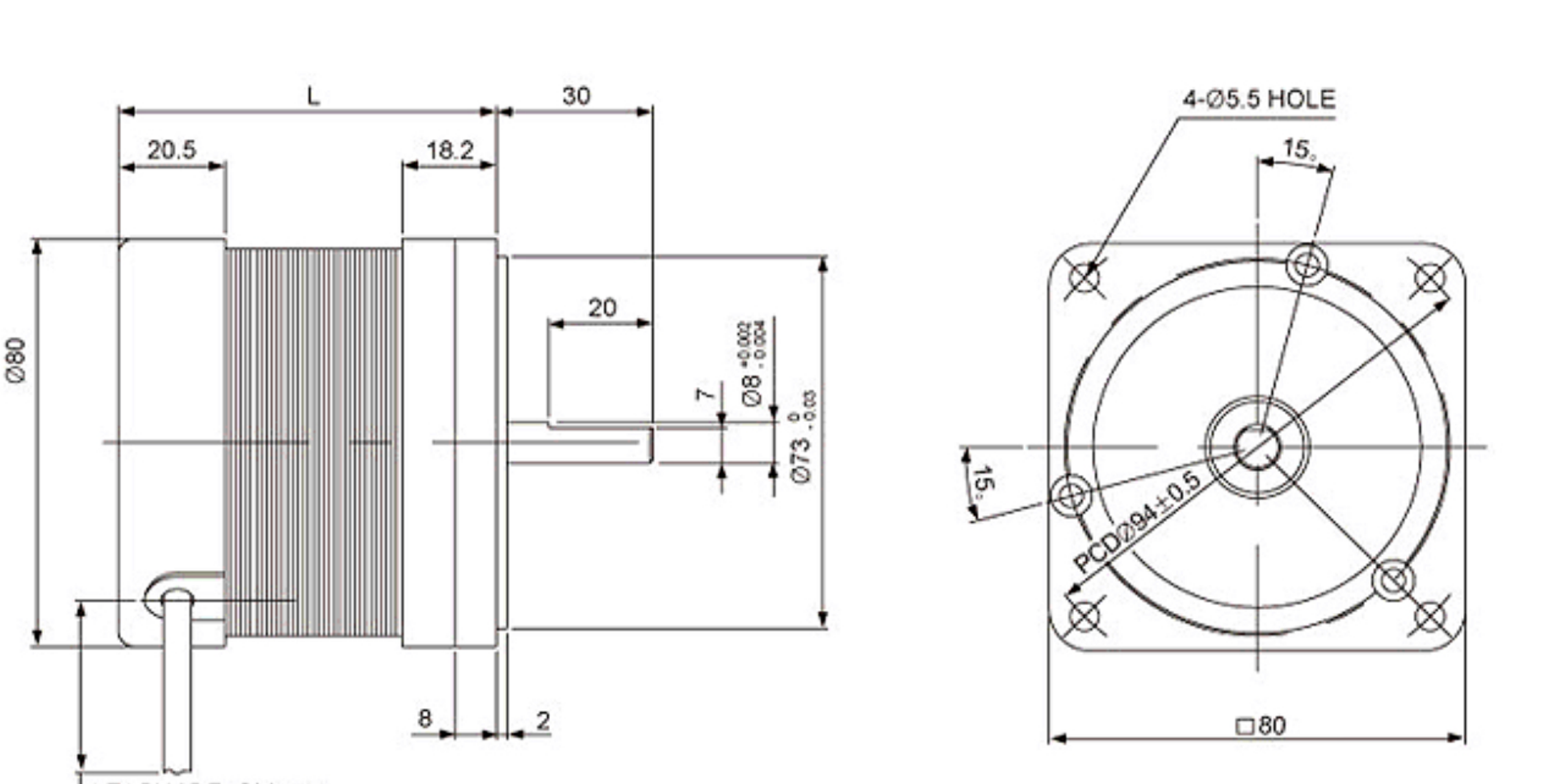
L	MODEL
52.7	N012025 / N024040 / N220060
62.7	N012040 / N024060 / N220080
72.7	N012060 / N024080 / N220100

CHARACTERISTICS

BD80



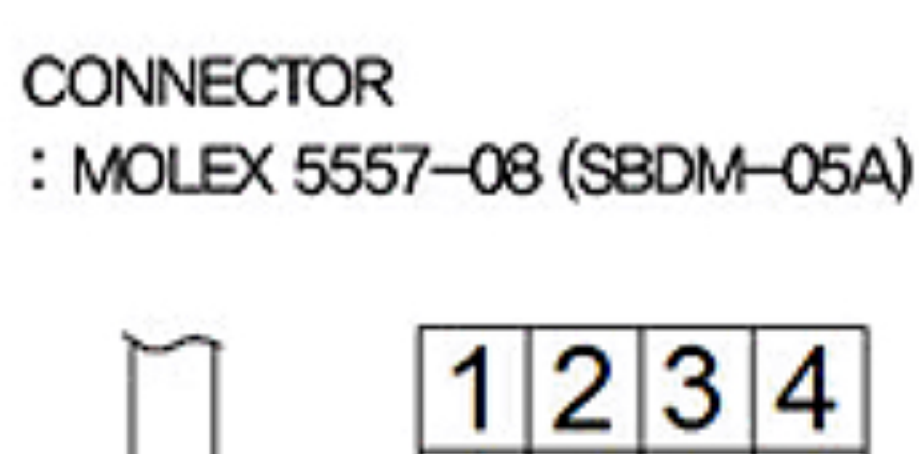
CONNECTION



CONNECTOR(5557-08)

PIN NO.	Cable Color	Lead Wire	Remark
1	ORANGE	AWG 24	Vcc
2	RED	AWG 20	U
3	YELLOW	AWG 20	V
4	BLUE	AWG 20	W
5	BLACK	AWG 24	GND
6	WHITE	AWG 24	Hu
7	GREEN	AWG 24	Hv
8	BROWN	AWG 24	Hw

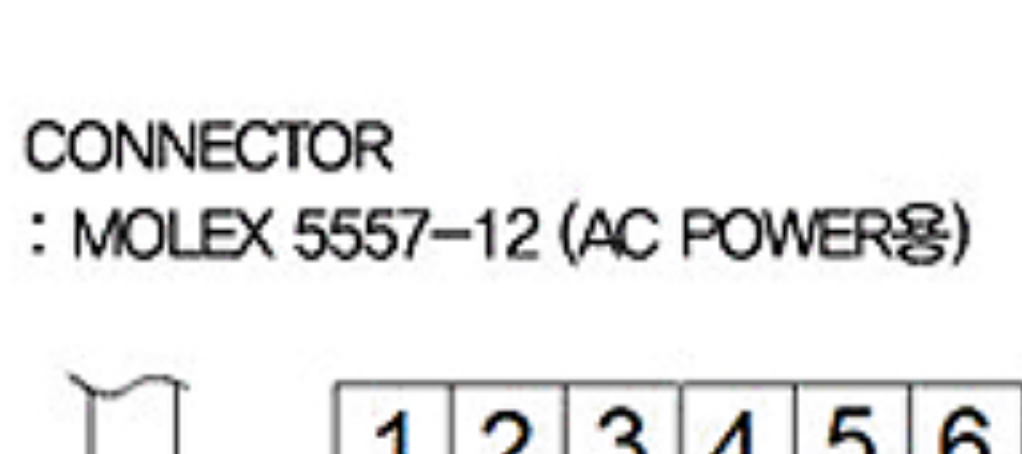
CONNECTOR : MOLEX 5557-08 (SBDM-05A)



CONNECTOR(5557-12)

PIN NO.	Cable Color	Lead Wire	Remark
1	BLUE	AWG 20	W
2			
3			
4	BROWN	AWG 24	Hw
5	GREEN	AWG 24	Hv
6	WHITE	AWG 24	Hu
7	YELLOW	AWG 20	V
8	RED	AWG 20	U
9	SHIELD		
10			
11	ORANGE	AWG 24	Vcc
12	BLACK	AWG 24	GND

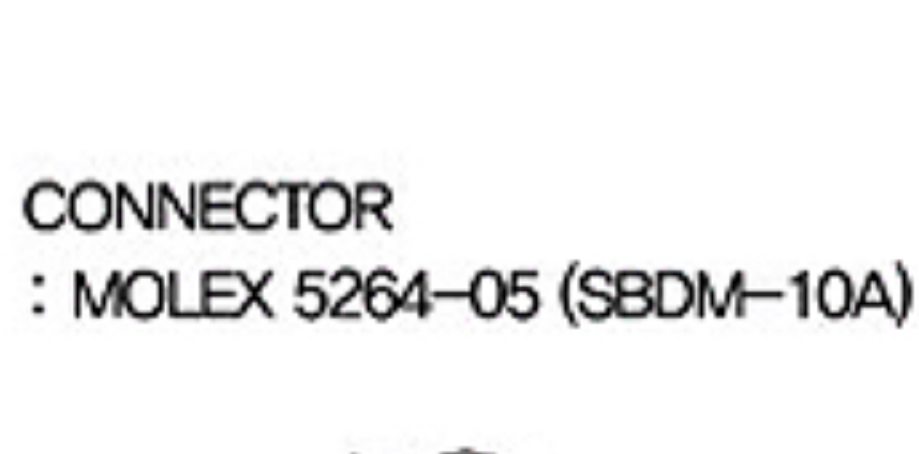
CONNECTOR : MOLEX 5557-12 (AC POWER용)



1. CONNECTOR(5264-05)

PIN NO.	Cable Color	Lead Wire	Remark
1	RED	AWG 16	U
2	YELLOW	AWG 16	V
3	BLUE	AWG 16	W

CONNECTOR : MOLEX 5264-05 (SBDM-10A)



2. CONNECTOR

PIN NO.	Cable Color	Lead Wire	Remark
1	WHITE	AWG 24	Hu
2	GREEN	AWG 24	Hv
3	BROWN	AWG 24	Hw
4	BLACK	AWG 24	GND
5	ORANGE	AWG 24	Vcc

