

Coreless Motor

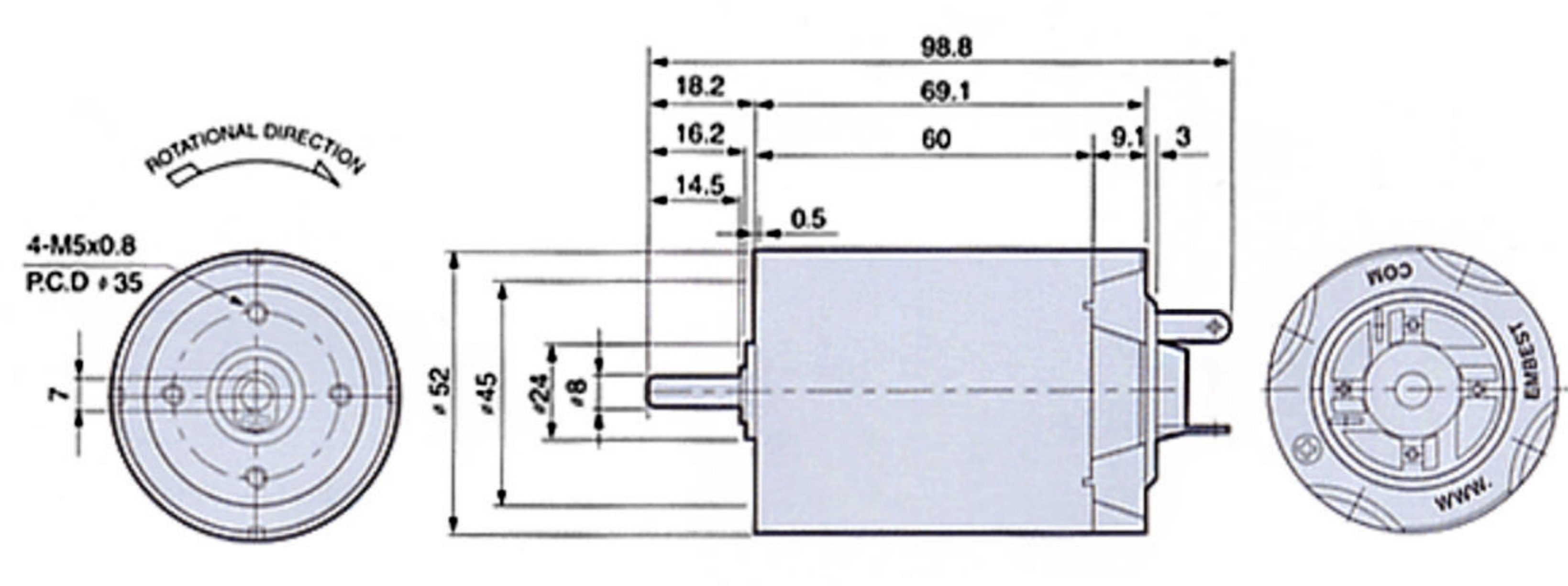
CC052070N4



제품사진



DIMENSION



SPECIFICATION

DC Coreless Motor Series CC042060N4					
Specifications (12 Volt)					
	Model No.	012014	012020	012030	012038
RATED	Voltage(V)	12	12	12	12
	Current(mA)	1600	2100	3000	4000
	Power(W)	14.0	20.0	30.0	38.0
	Speed(rpm)	1700	2200	2700	2900
	Torque(mN*m)	80.0	80.0	100.0	120.0
ELECTRICAL	Maximum Output Power(W)	22.0	30.0	53.0	62.0
	Maximum Efficiency(%)	74	77	80	82
	No Load Speed(rpm)	2100	2900	3200	3500
	No Load Current(mA)	150	150	200	200
	Stall Torque(mN*m)	390.0	390.0	600.0	670.0
	Torque Constant(mN*m/A)	51.3	38.1	34.9	32.0
	Back EMF Constant(mV/rpm)	5.52	4.07	3.65	3.41
	Terminal Resistance(Ω)	1.60	1.20	0.80	0.60
	Terminal Inductance(mH)	0.09	0.07	0.06	0.07
MECHANICAL	Mechanical Time Const.(ms)	5.7	7.8	6.2	5.5
	Armature Inertia(g*cm ²)	94.7	94.7	94.7	94.7
	Shaft Diameter	ϕ 6	ϕ 6	ϕ 6	ϕ 6
	Bearing Type	Metal Bearing		Ball Bearing	
	Weight(g)	390	390	390	390
	Maximum Armature Temperature	120 °C			
	Motor Operating Temperature Range	-20 ~80°C			

Specifications (24 Volt)					
	Model No.	024018	024023	024033	024055
RATED	Voltage(V)	24	24	24	24
	Current(mA)	1000	1200	1800	3000
	Power(W)	18.0	23.0	33.0	55.0
	Speed(rpm)	2200	2100	2500	3400
	Torque(mN*m)	80.0	100.0	120.0	150.0
ELECTRICAL	Maximum Output Power(W)	28.0	38.0	47.0	78.0
	Maximum Efficiency(%)	76	78	79	82
	No Load Speed(rpm)	2600	2500	3200	4400
	No Load Current(mA)	80	90	100	120
	Stall Torque(mN*m)	400.0	550.0	550.0	700.0
	Torque Constant(mN*m/A)	86.2	85.7	68.9	51.6
	Back EMF Constant(mV/rpm)	9.18	9.27	7.31	5.45
	Terminal Resistance(Ω)	5.00	3.80	3.80	31.80
	Terminal Inductance(mH)	0.18	0.17	0.14	0.12
MECHANICAL	Mechanical Time Const.(ms)	6.4	4.9	6.0	6.4
	Armature Inertia(g*cm ²)	94.7	94.7	94.7	94.7
	Shaft Diameter	ϕ 6	ϕ 6	ϕ 6	ϕ 6
	Bearing Type	Metal Bearing		Ball Bearing	
	Weight(g)	390	390	390	390
	Maximum Armature Temperature	120 °C			
	Motor Operating Temperature Range	-20 ~80°C			