

Coreless Motor

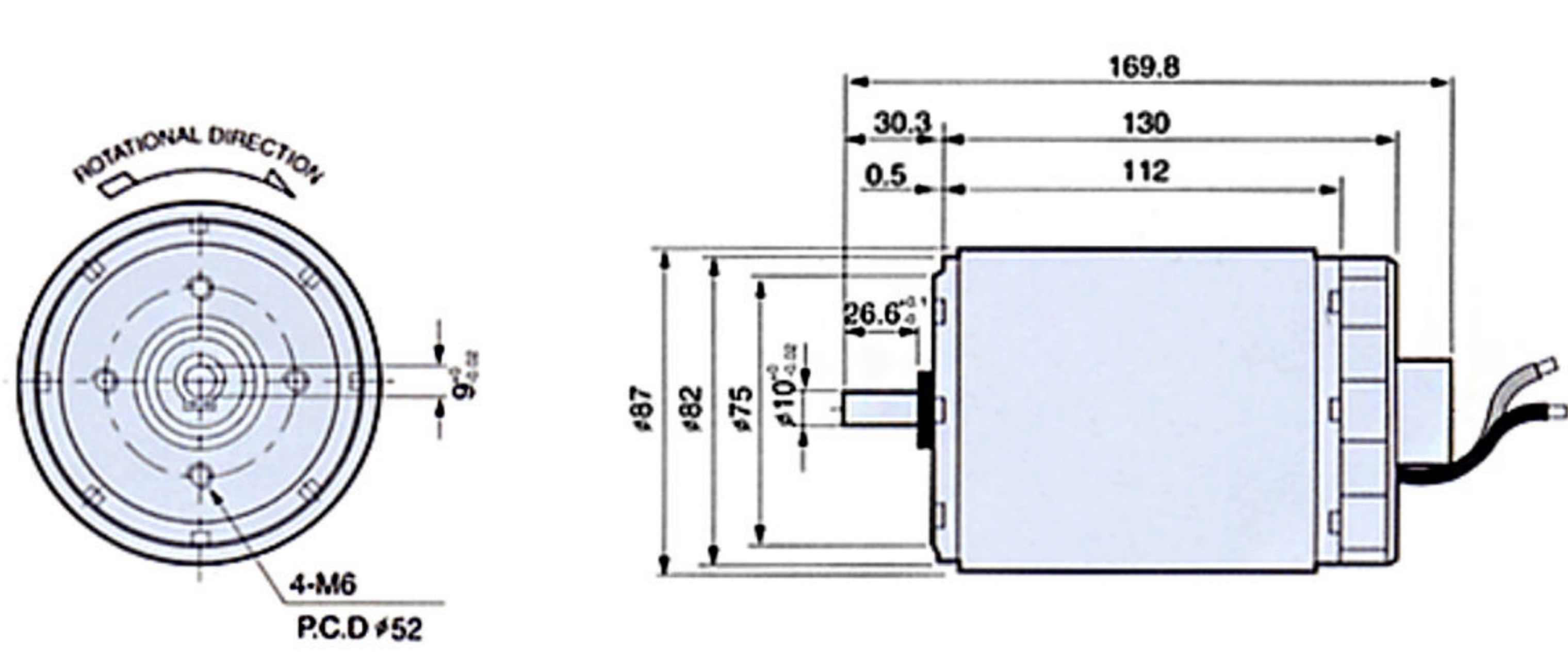
CC087128N4



제품사진



DIMENSION



SPECIFICATION

DC Coreless Motor Series CC087128N4					
Specifications (12 Volt)					
	Model No.	012036	012050	012075	012100
RATED	Voltage(V)	12	12	12	12
	Current(mA)	7000	12000	15000	20000
	Power(W)	60.0	100.0	140.0	200.0
	Speed(rpm)	700	1000	1100	1250
	Torque(mN*m)	800.0	1000.0	1200.0	1500.0
ELECTRICAL	Maximum Output Power(W)	80.0	160.0	190.0	320.0
	Maximum Efficiency(%)	72	76	78	82
	No Load Speed(rpm)	900	1200	1400	1500
	No Load Current(mA)	600	800	900	1000
	Stall Torque(mN*m)	3300.0	5000.0	5200.0	7800.0
	Torque Constant(mN*m/A)	121.2	90.9	80.0	72.7
	Back EMF Constant(mV/rpm)	13.00	9.68	8.57	7.70
	Terminal Resistance(Ω)	0.50	0.30	0.20	0.15
MECHANICAL	Terminal Inductance(mH)	0.12	0.09	0.08	0.06
	Mechanical Time Const.(ms)	14.2	15.1	13.0	11.8
	Armature Inertia(g*cm ²)	4173.0	4173.0	4173.0	4173.0
	Shaft Diameter	ϕ 10	ϕ 10	ϕ 10	ϕ 10
	Bearing Type	Ball Bearing			
	Weight(g)	3060	3060	3060	3060
	Maximum Armature Temperature	120 °C			
Motor Operating Temperature Range	-20 ~80°C				

Specifications (24 Volt)					
	Model No.	024040	024060	024080	024120
RATED	Voltage(V)	24	24	24	24
	Current(mA)	6000	10000	14000	16000
	Power(W)	120.0	180.0	230.0	300.0
	Speed(rpm)	1100	1200	1500	1800
	Torque(mN*m)	1000.0	1200.0	1500.0	1600.0
ELECTRICAL	Maximum Output Power(W)	180.0	300.0	370.0	540.0
	Maximum Efficiency(%)	74	76	78	80
	No Load Speed(rpm)	1300	1500	1800	2000
	No Load Current(mA)	700	800	800	1000
	Stall Torque(mN*m)	5000.0	7200.0	7500.0	9600.0
	Torque Constant(mN*m/A)	162.1	145.4	121.2	108.7
	Back EMF Constant(mV/rpm)	17.32	15.51	12.88	11.58
	Terminal Resistance(Ω)	0.80	0.50	0.40	0.30
MECHANICAL	Terminal Inductance(mH)	0.20	0.16	0.15	0.12
	Mechanical Time Const.(ms)	12.7	9.8	11.4	10.6
	Armature Inertia(g*cm ²)	4173.0	4173.0	4173.0	4173.0
	Shaft Diameter	ϕ 10	ϕ 10	ϕ 10	ϕ 10
	Bearing Type	Ball Bearing			
	Weight(g)	3060	3060	3060	3060
	Maximum Armature Temperature	120 °C			
Motor Operating Temperature Range	-20 ~80°C				