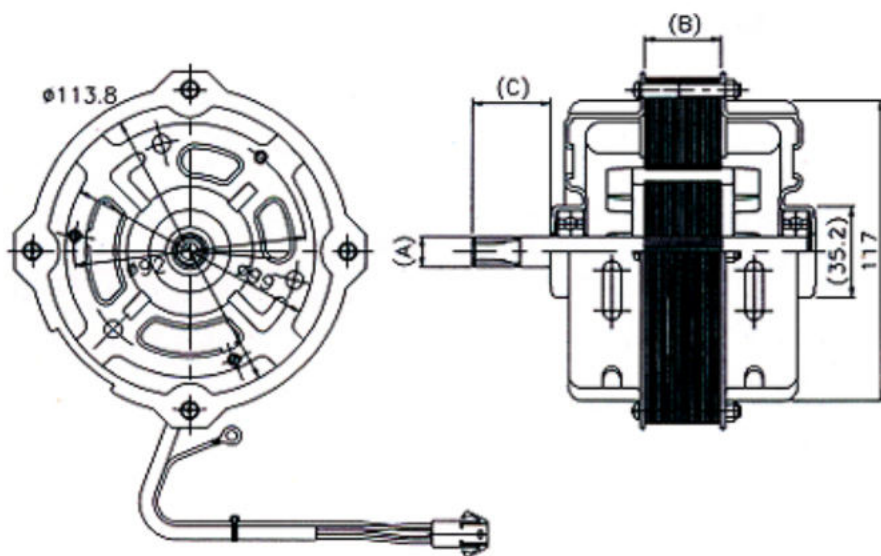


Condenser Run Geared Motor IC-15TYPE

제빵기용



DIMENSIONS



CHARACTERISTICS

TYPE	NO LOAD						DIMENSION			INS. CLASS
	V	Hz	Pi(W)	RPM	TORQUE(kg.cm)		(A) (φ)	(B) (mm)	(C) (mm)	
					MAXIMUM TORQUE	STARTING TORQUE				
15415	110~240	50	80~120	1470~1490	2.5~3.5	1.8~2.6	φ 12 φ 15 φ 17 φ 22	15		B
15415		60	90~120	1770~1790	2.5~3.5	1.7~2.6		15		B
15425		50	140~160	1470~1490	5.0~10.0	3.0~7.0		25		B
15425		60	160~200	1770~1790	5.0~9.0	3.0~7.0		25		B
15435		50	190~230	1470~1490	11.0~16.0	9.0~12.0		35		B
15435		60	200~240	1770~1790	11.0~16.0	8.0~12.0		35		B