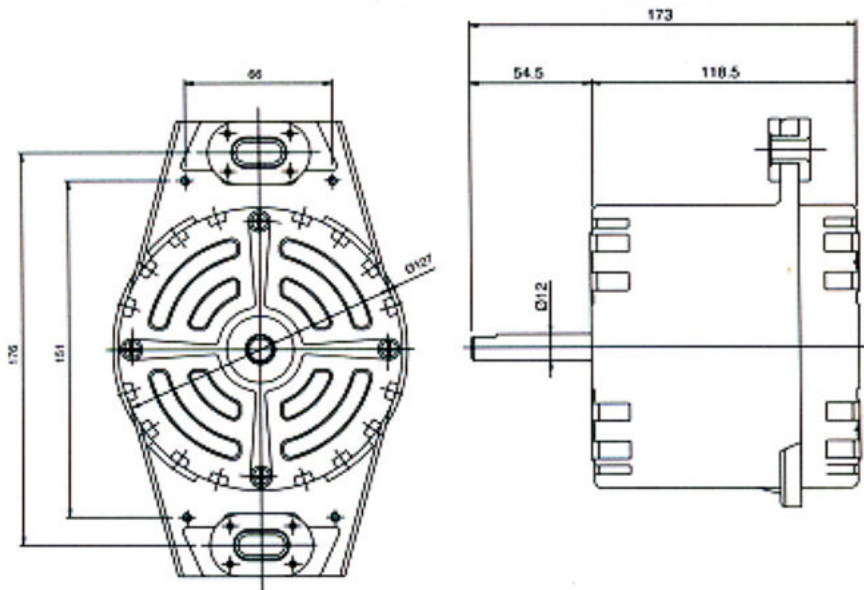


# Condenser Run Geared Motor IC-1TYPE

전자동 세탁기 Main 구동 Motor



## DIMENSIONS



## CHARACTERISTICS

TYPE	NO LOAD						DIMENSION			INS. CLASS
	V	Hz	Pi(W)	RPM	TORQUE (kg. cm)		(A) (φ)	(B) (mm)	(C) (mm)	
					MAXIMUM TORQUE	STARTING TORQUE				
1430	110~240	50	40~60	1470~1490	2.5~8.0	1.8~5.0	φ 12 φ 15 φ 17 φ 22	30	as requested by buyer	E,
1430		60	40~65	1770~1790	2.5~8.0	1.8~5.0		30		E,
1445		50	70~120	1470~1490	11.5~15.0	4.0~7.0		45		E,
1445		60	70~130	1770~1790	11.5~15.0	4.0~7.0		45		E,
1455		50	100~200	1470~1490	18.0~23.0	10.0~16.0		55		E,
1455		60	110~210	1770~1790	18.0~23.0	10.0~16.0		55		E,
1625		50	30~45	970~990	2.1~3.6	1.5~2.1		25		E,
1625		60	35~50	1170~1190	2.1~4.0	1.4~2.5		25		E,
1630		50	50~60	970~990	3.6~5.0	2.5~3.5		30		E,B
1640		50	60~85	970~990	4.5~9.0	3.2~5.0		40		E,
1640		60	65~90	1170~1190	6.0~10.0	3.6~6.0		40		E,
1630		60	50~65	1170~1190	4.0~5.8	2.5~4.0		30		E,