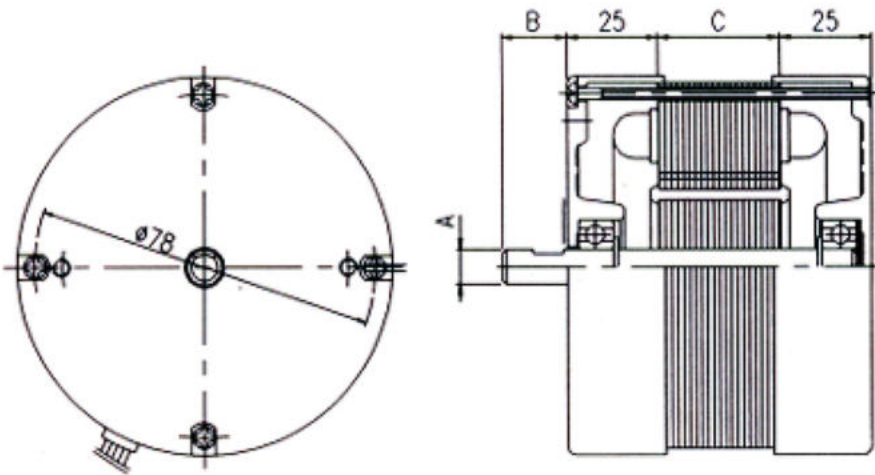


Condenser Run Geared Motor IC-8TYPE

일반범용의 송풍용



DIMENSIONS



CHARACTERISTICS

TYPE	NO LOAD						DIMENSION			INS. CLASS
	V	Hz	Pi(W)	RPM	TORQUE(kg.cm)		(A) (ϕ)	(B) (mm)	(C) (mm)	
					MAXIMUM TORQUE	STARTING TORQUE				
8412	110~240	50	11~25	1450~1490	0.31~0.72	0.21~0.56	ϕ 8 ϕ 10	12		E,B
8412		60	12~34	1750~1790	0.34~1.10	0.27~0.80		12		E,B
8415		50	12~25	1450~1490	0.40~1.31	0.32~0.90		15		E,B
8415		60	12~23	1750~1790	0.41~1.25	0.28~1.02		15		E,B
8422		50	16~26	1450~1490	0.80~2.00	0.45~1.12		22		E,B
8422		60	15~28	1750~1790	0.52~1.76	0.33~1.30		22		E,B
8428		50	25~40	1450~1490	1.35~2.85	0.70~1.54		28		E,B
8428		60	20~90	1750~1790	0.90~4.00	0.40~3.50		28		E,B
8434		50	28~63	1450~1490	2.70~4.32	1.90~2.31		34		E,B
8434		60	35~100	1750~1790	1.50~6.21	0.63~4.72		34		E,B
8212		50	1.4~1.2	2950~2990	0.44~0.52	0.28~0.36		12		E,B
8212		60	30~38	3550~3590	0.53~0.61	0.22~0.38		12		E,B
8215		50	16~29	2950~2990	0.64~1.24	0.25~0.38		15		E,B
8215		60	32~45	3550~3590	0.76~0.97	0.30~0.40		15		E,B
8222		50	19~34	2950~2990	0.78~1.62	0.54~0.57		22		E,B
8222		60	40~58	3550~3590	0.80~2.85	0.32~1.62		22		E,B
8228		50	26~45	2950~2990	1.50~2.10	0.50~1.18		28		E,B
8228		60	20~95	3550~3590	0.85~3.00	0.35~2.07		28		E,B
8234		50	35~69	2950~2990	2.29~3.95	0.77~1.50		34		E,B
8234		60	100~114	3550~3590	2.08~5.35	0.70~2.17		34		E,B