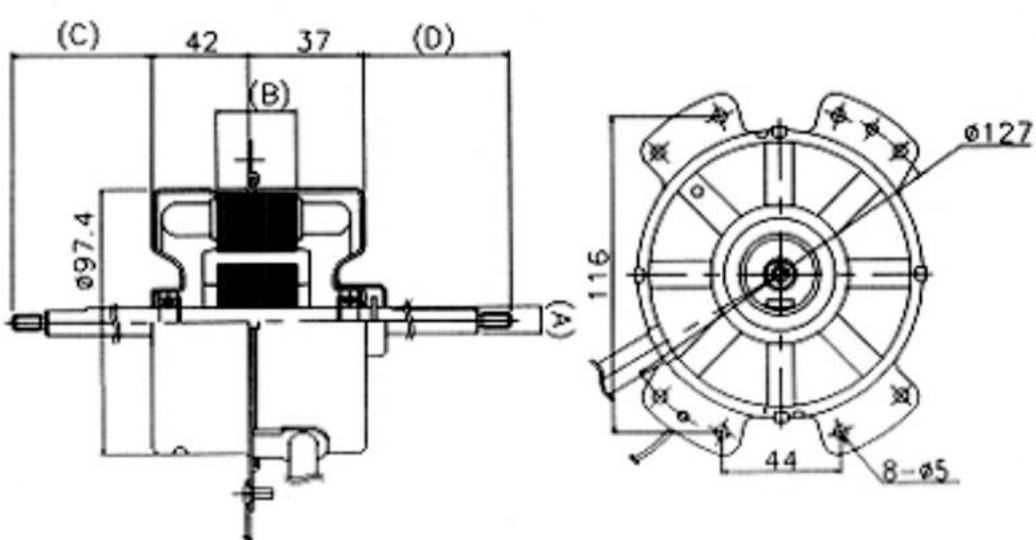


# Condenser Run Geared Motor IC-9TYPE

PRESS HOUSING 양축 TYPE으로 창문형에어컨에 적용하며  
밀폐구조로 방수, 방습성이 우수



## DIMENSIONS



## CHARACTERISTICS

TYPE	NO LOAD						DIMENSION			INS. CLASS	WATER PROOF
	V	Hz	Pi(W)	RPM	TORQUE(kg.cm)		(A) ( $\phi$ )	(B) (mm)	(C) (mm)		
					MAXIMUM TORQUE	STARTING TORQUE					
9415	110~240	50	30~45	1460~1470	1.2~1.8	0.6~1.2	$\phi 9$ $\phi 10$ $\phi 12$ $\phi 15$	15	as requested by buyer	A,E,B	O
9415		60	26~42	1170~1180	1.0~1.18	0.4~0.9		15		A,E,B	O
9615		50	35~47	980~990	2.0~2.7	1.2~2.0		15		A,E,B	O
9615		60	30~42	1170~1180	1.8~2.4	1.2~1.8		15		A,E,B	O
9620		50	37~45	980~990	2.2~2.9	1.2~2.2		20		A,E,B	O
9620		60	23~46	1170~1180	1.8~2.4	1.3~1.9		20		A,E,B	O
9225		50	24~60	2920~2930	2.9~3.5	1.0~3.2		25		A,E,B	X
9225		60	23~58	3450~3560	2.7~3.2	0.2~0.4		25		A,E,B	X
9425		50	25~65	1460~1470	2.0~4.8	1.0~3.6		25		A,E,B	O
9425		60	23~61	1770~1780	1.6~4.0	0.9~2.8		25		A,E,B	O
9625		50	24~60	980~990	3.2~4.2	1.4~2.4		25		A,E,B	O
9625		60	22~56	1170~1180	2.2~4.6	1.0~3.0		25		A,E,B	O
9825		50	25~70	710~720	1.1~3.8	1.5~3.5		25		A,E,B	X
9825		60	26~66	870~880	1.0~2.2	1.3~3.2		25		A,E,B	X
9430		50	25~70	1460~1470	1.2~4.3	0.97~3.0		30		A,E,B	O
9430		60	24~65	1170~1180	2.0~6.9	1.1~3.9		30		A,E,B	O
9630		50	26~60	980~990	3.2~5.5	1.68~3.4		30		A,E,B	O
9630		60	23~56	1170~1180	2.9~5.0	1.7~3.9		30		A,E,B	O
9830		50	30~49	710~720	2.0~4.5	1.3~3.6		30		A,E,B	X
9830		60	25~46	870~880	1.6~3.2	0.98~2.7		30		A,E,B	X
9235		50	45~89	2920~2930	3.5~6.5	1.8~3.0		35		A,E,B	X
9235		60	43~80	3450~3460	3.3~5.8	1.4~2.4		35		A,E,B	X
9435		50	40~80	1460~1470	3.0~6.0	1.5~1.5		35		A,E,B	O
9435		60	35~70	1770~1780	2.0~5.0	0.9~1.4		35		A,E,B	O
9250		50	60~141	2920~2930	6.4~9.3	2.2~3.3		50		A,E,B	X
9250		60	53~130	3450~3460	3.5~8.7	1.35~2.6		50		A,E,B	X
9450		50	52~120	1460~1470	7.5~9.9	2.29~6.0		50		A,E,B	X
9450		60	50~110	1770~1780	5.6~9.5	0.98~5.4		50		A,E,B	X
9650	50	72~89	980~990	6.6~9.7	2.5~3.7	50	A,E,B	X			
9650	60	57~80	1170~1180	7.0~8.5	2.0~2.37	50	A,E,B	X			
9850	50	53~62	710~720	3.0~4.6	1.6~2.3	50	A,E,B	X			
9850	60	51~64	870~880	3.0~4.1	1.4~2.6	50	A,E,B	X			