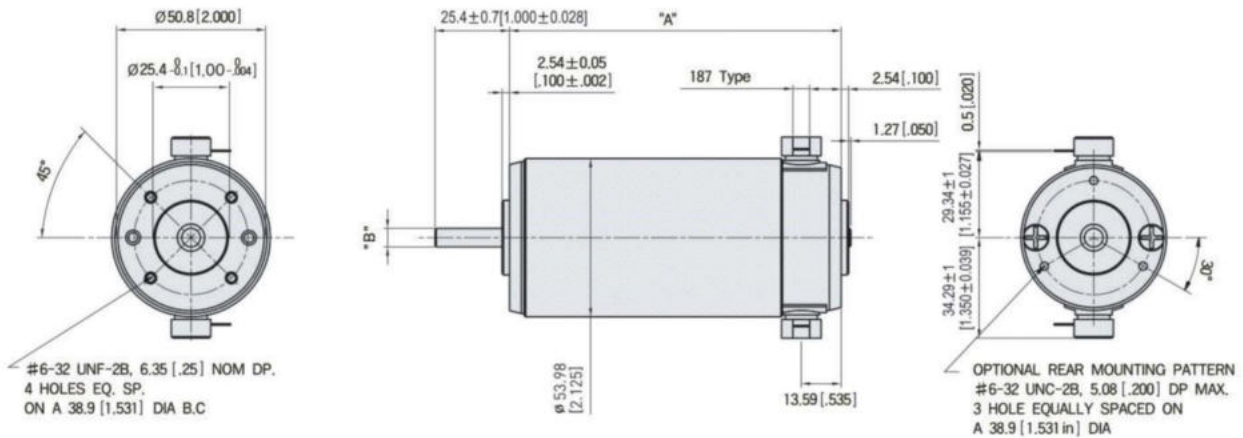




COMPACT TYPE RM5 SERIES MOTOR

MOTOR DIMENSION

UNIT : mm[inch]



MODEL NO.	"A"	"B"
RM51□□□	75.0 [2,953]	6,336±0.003 [0,2494±0.0001]
RM52□□□	81.0 [3,189]	
RM53□□□	94.0 [3,701]	

MODEL NO.	"A"	"B"
RM54□□□	103.4 [4,071]	6,336±0.003 [0,2494±0.0001]
RM55□□□	113.0 [4,449]	

MOTOR SPECIFICATION

(Voltage : DC 24V)

Type	No Load		Rated			Stall(Peak)		Run Duty	Weight	
	Revolution	Current	Continous Torque(Max.)	Revolution	Current	Peak Torque	Current			
	RPM	A		—	RPM	A	—			A
RM51B□T	4230	0.4	0.06	N·m	3725	1.36	0.46	N·m	2000	0.59
			8.0	oz·in			64.5	oz·in		
			0.58	kgf·cm			4.65	kgf·cm		
RM52B□T	4087	0.5	0.09	N·m	3595	1.94	0.67	N·m	2000	0.74
			12.8	oz·in			94.8	oz·in		
			0.92	kgf·cm			6.83	kgf·cm		
RM53B□T	3400	0.5	0.15	N·m	2930	2.67	0.96	N·m	2000	0.89
			21.2	oz·in			135.7	oz·in		
			1.53	kgf·cm			9.78	kgf·cm		
RM54B□T	3630	0.5	0.18	N·m	3180	3.18	1.31	N·m	2000	1
			25.5	oz·in			185.4	oz·in		
			1.84	kgf·cm			13.36	kgf·cm		
RM55B□T	2900	0.4	0.22	N·m	2510	3.05	1.46	N·m	2000	1.12
			31.1	oz·in			207.0	oz·in		
			2.24	kgf·cm			14.92	kgf·cm		

※ Run Duty는 정격전압인가 무부하 기준입니다.