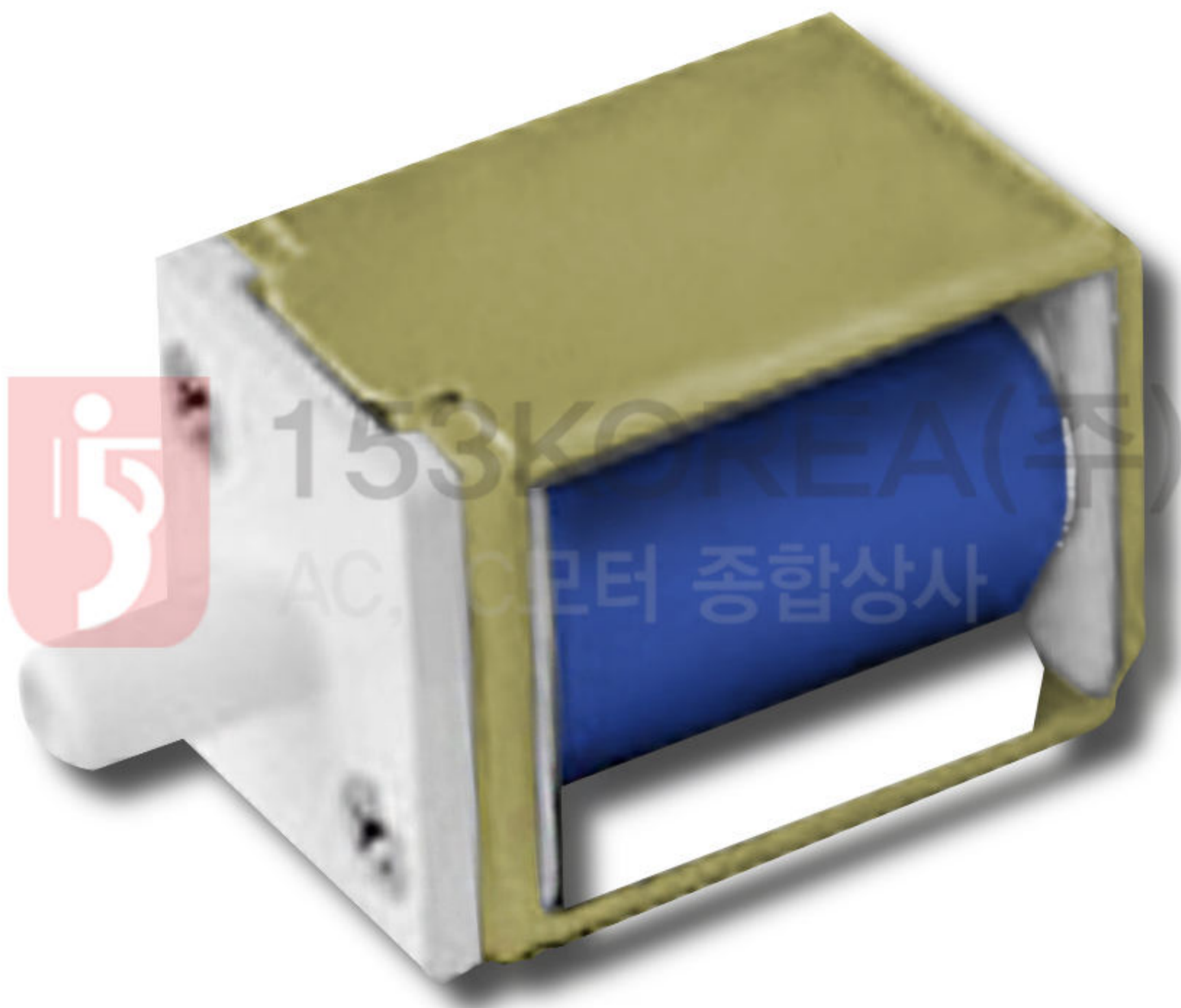


DC Solenoid VALVE

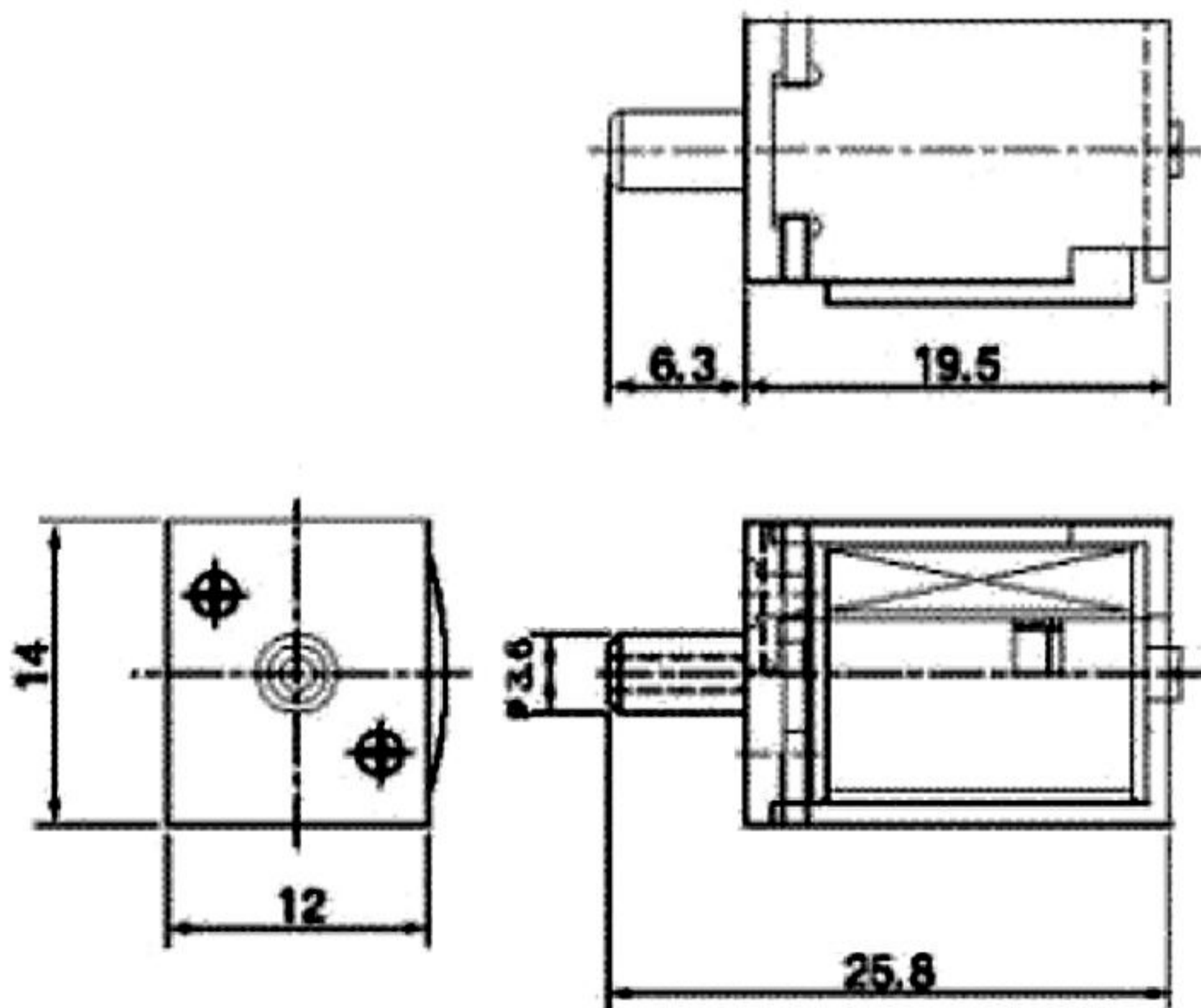
DVH-05A035-01



SPECIFICATION

- Use Fluid : AIR
- Voltage : DC 3.0V ~ 3.5V
- Minimum Voltage : DC 2.0V
- Leak Mass : 1mmHg/5s
- Life cycle : 250,000 (50% Duty)
- Insulation Class : A

DIMENSION



CHARACTERSTICS

- R (insulation) : 50M Ω @ 500V DC
- Dielectric Strength : 1000V AC, 1min
- Insulation Garde : A (except lead)