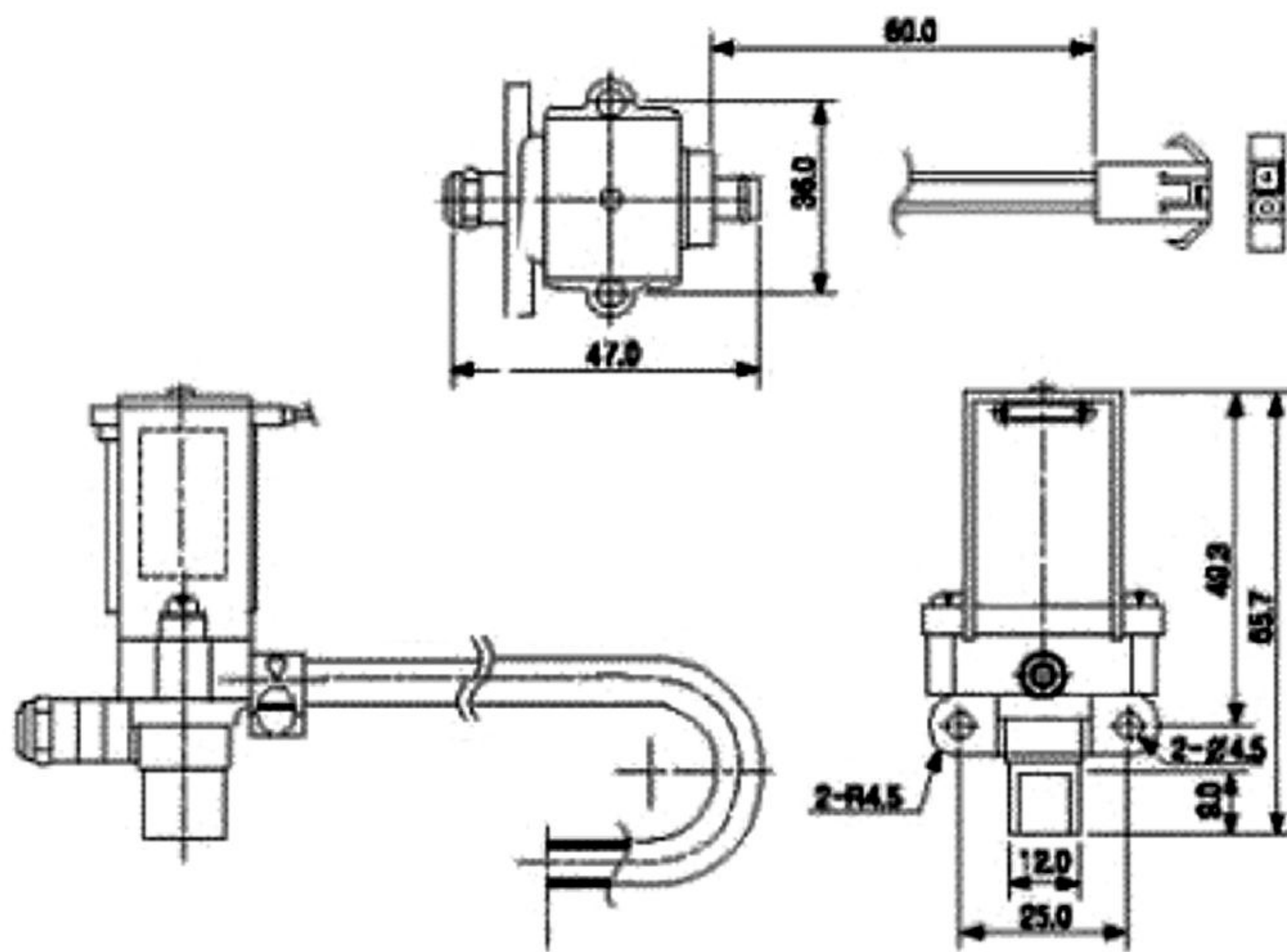


DC Solenoid VALVE

DVH-07W05K-01



DIMENSION



CHARACTERISTICS

- Voltage : AC 220V(50/60Hz)
- Current Rating : 40mA
- Coil resistance : 5.5 k Ω
- Rating : int. use
- Pressure : 0.2~3kgf/cm²
- Fluid : Water
- R (insulation) : 100M Ω @ 500V DC
- Dielectric Strength : 500V AC, 1min.
- Insulation Grade : E (except lead)