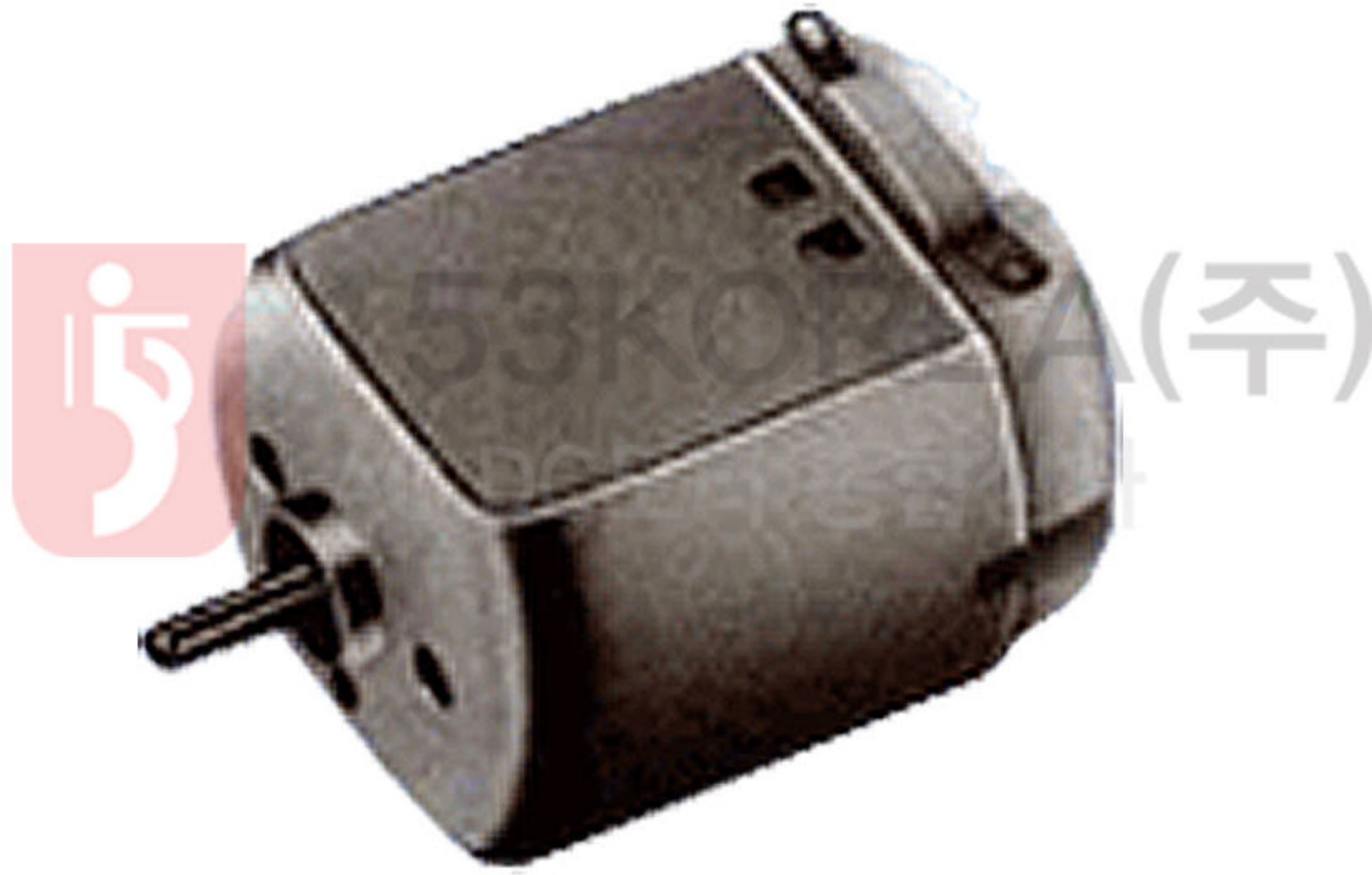


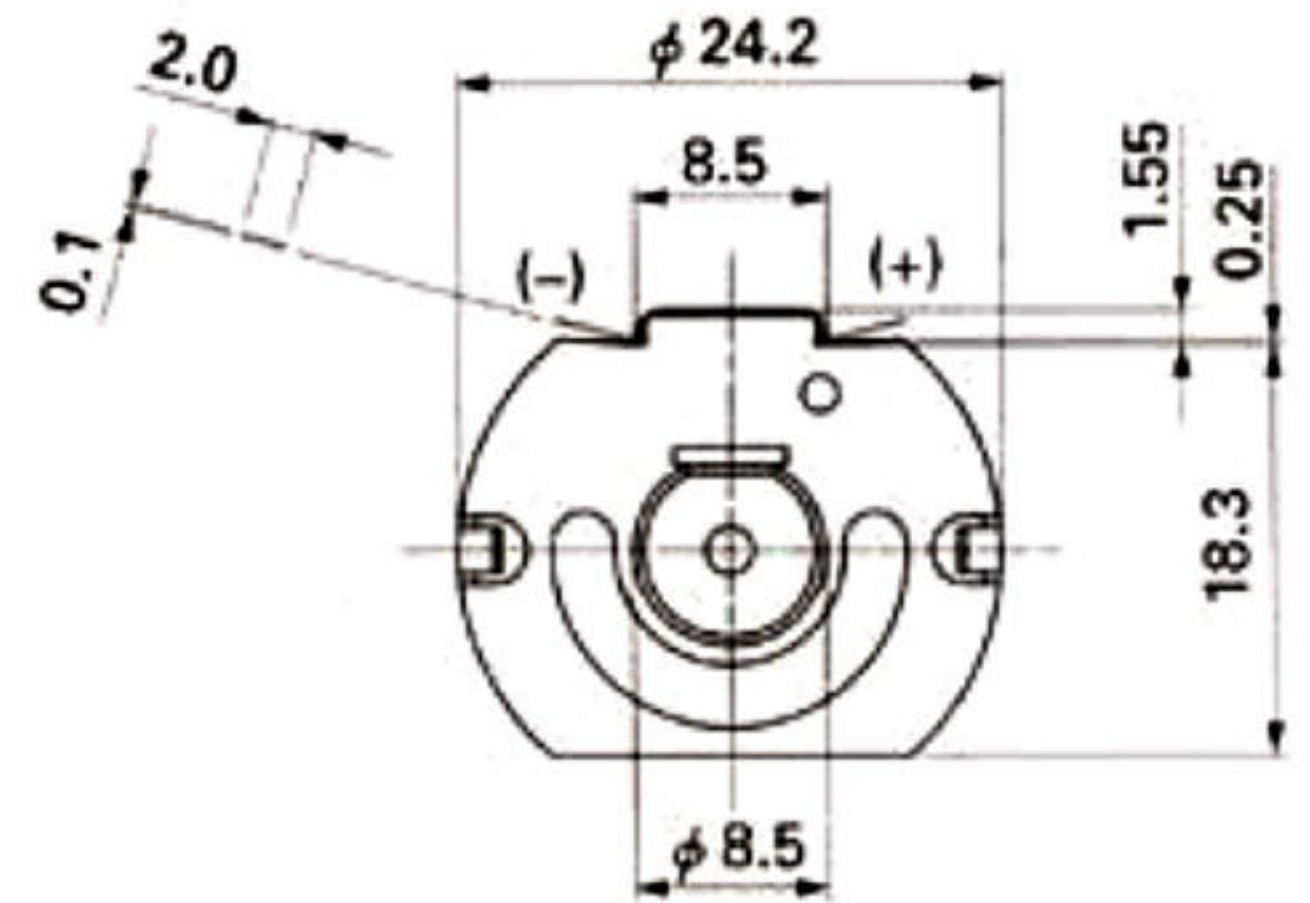
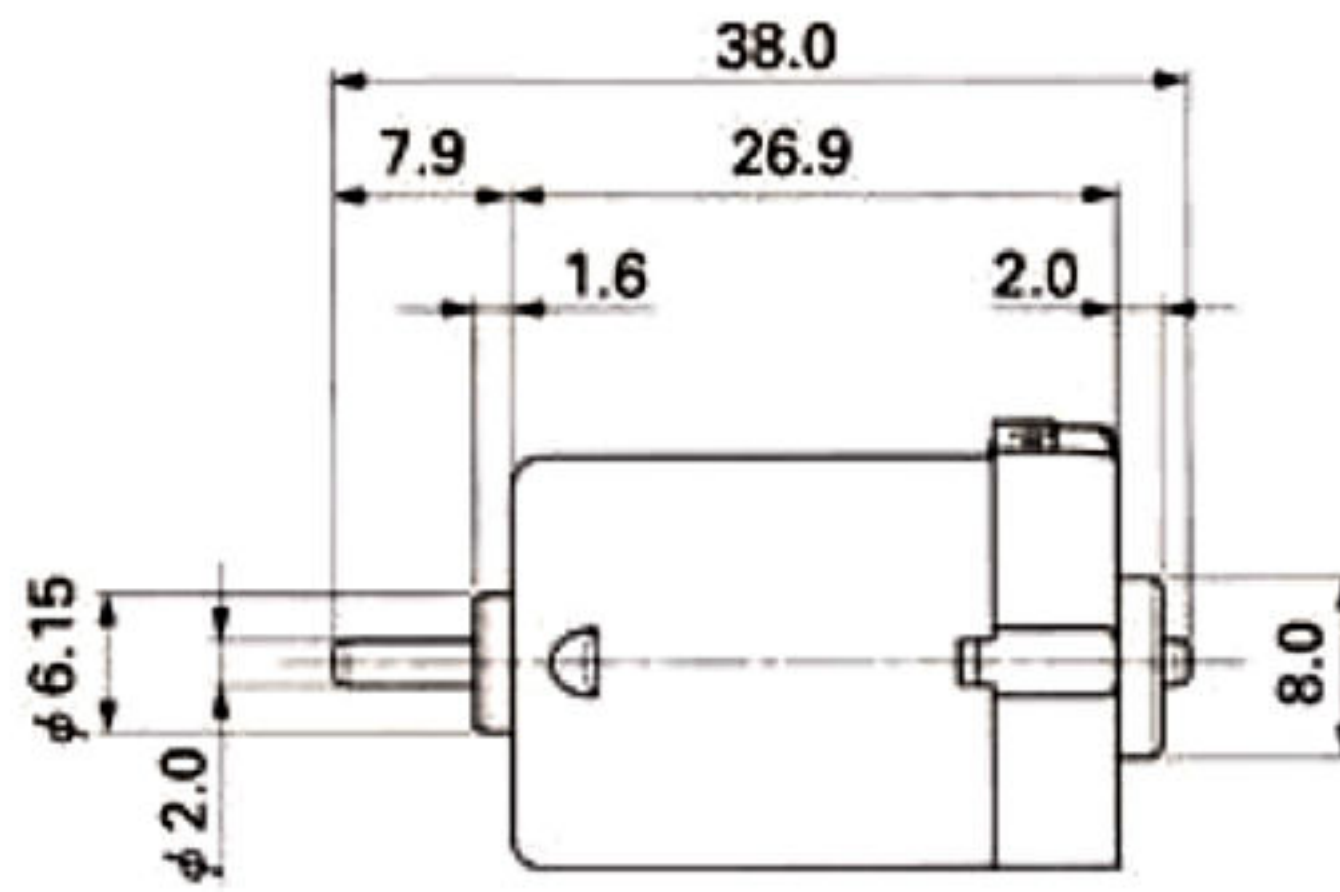
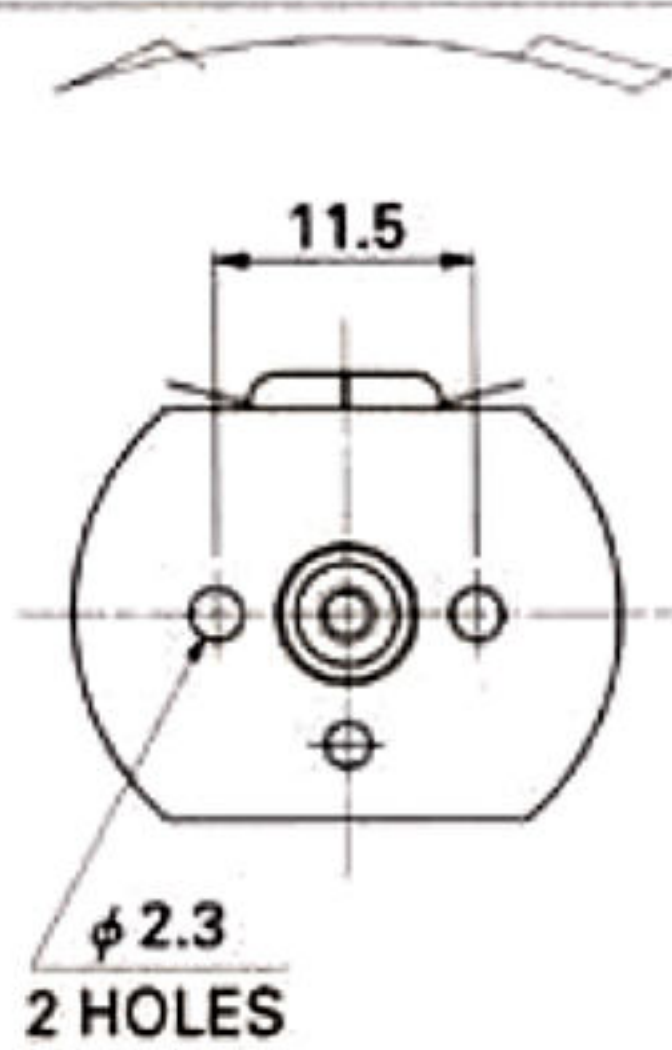
# MABUCHI Small DC

## FA-260RA



### DIMENSIONS

#### DIRECTION OF ROTATION



### SPECIFICATION

MODEL	VOLTAGE		NO LOAD		AT MAXIMUM EFFICIENCY					STALL		
	OPERATING RANGE	NOMINAL	SPEED	CURRENT	SPEED	CURRENT	TORQUE		OUTPUT	TORQUE		CURRENT
			r/min	A	r/min	A	g·cm	mN·m	W	g·cm	mN·m	A
FA-260RA-2670	1.5~3.0	1.5V CONSTANT	6300	0.15	5000	0.62	10	0.98	0.51	52	5.10	2.60
		3V CONSTANT	12100	0.21	10000	1.00	15	1.47	1.54	92	9.02	4.80
FA-260RA-2295	1.5~4.5	1.5V CONSTANT	4600	0.10	3600	0.38	7.5	0.74	0.28	38	3.72	1.45
		3V CONSTANT	9300	0.13	7600	0.60	12	1.18	0.94	72	7.06	2.74
FA-260RA-20120	1.5~4.5	3V CONSTANT	7300	0.090	6000	0.41	11	1.08	0.68	62	6.08	1.85
		4.5V CONSTANT	10800	0.12	8900	0.57	14	1.37	1.28	85	8.33	2.70