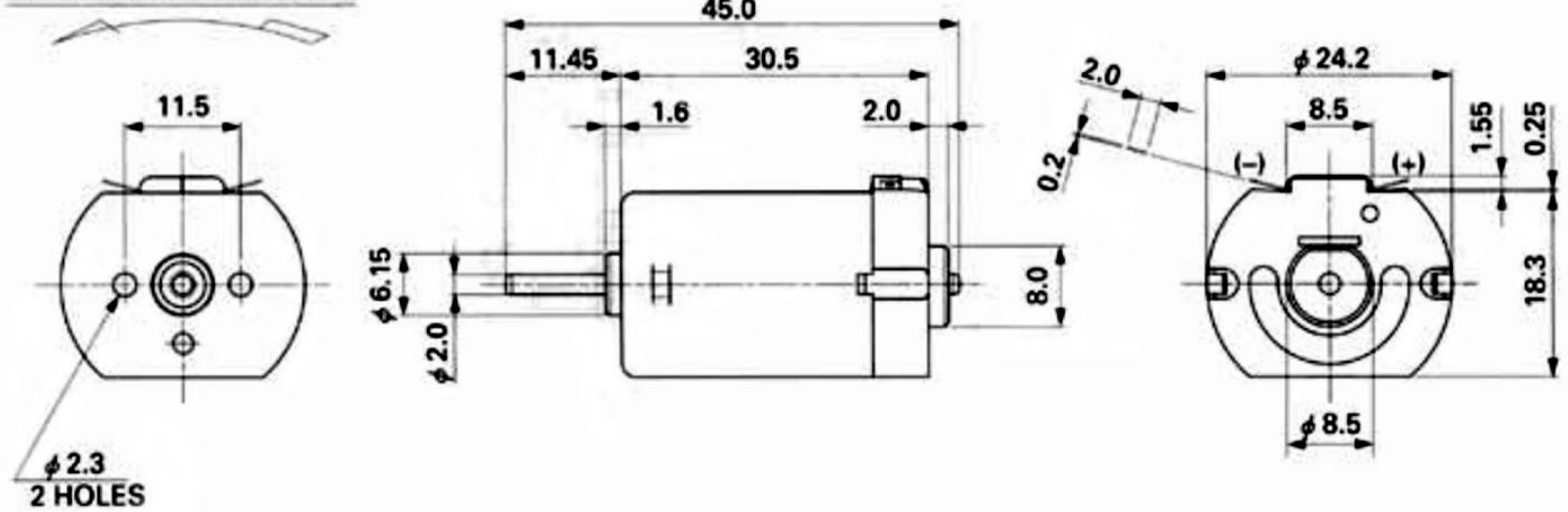


# MABUCHI Small DC FC-280SA



## DIMENSIONS

### DIRECTION OF ROTATION



## SPECIFICATION

MODEL	VOLTAGE		NO LOAD		AT MAXIMUM EFFICIENCY				STALL			
	OPERATING RANGE	NOMINAL	SPEED	CURRENT	SPEED	CURRENT	TORQUE		OUTPUT	TORQUE		CURRENT
			r/min	A	r/min	A	g·cm	mN·m	W	g·cm	mN·m	A
FC-280SA-18165	10~15	12V CONSTANT	12400	0.10	10700	0.51	35	3.43	3.84	260	25.5	3.40
FC-280SA-16200	10~15	12V CONSTANT	10000	0.070	8800	0.31	25	2.45	2.26	220	21.6	2.15
FC-280SA-4523	1.2~1.5	1.25V CONSTANT	9100	0.60	7300	2.50	27	2.65	2.02	140	13.7	10.2