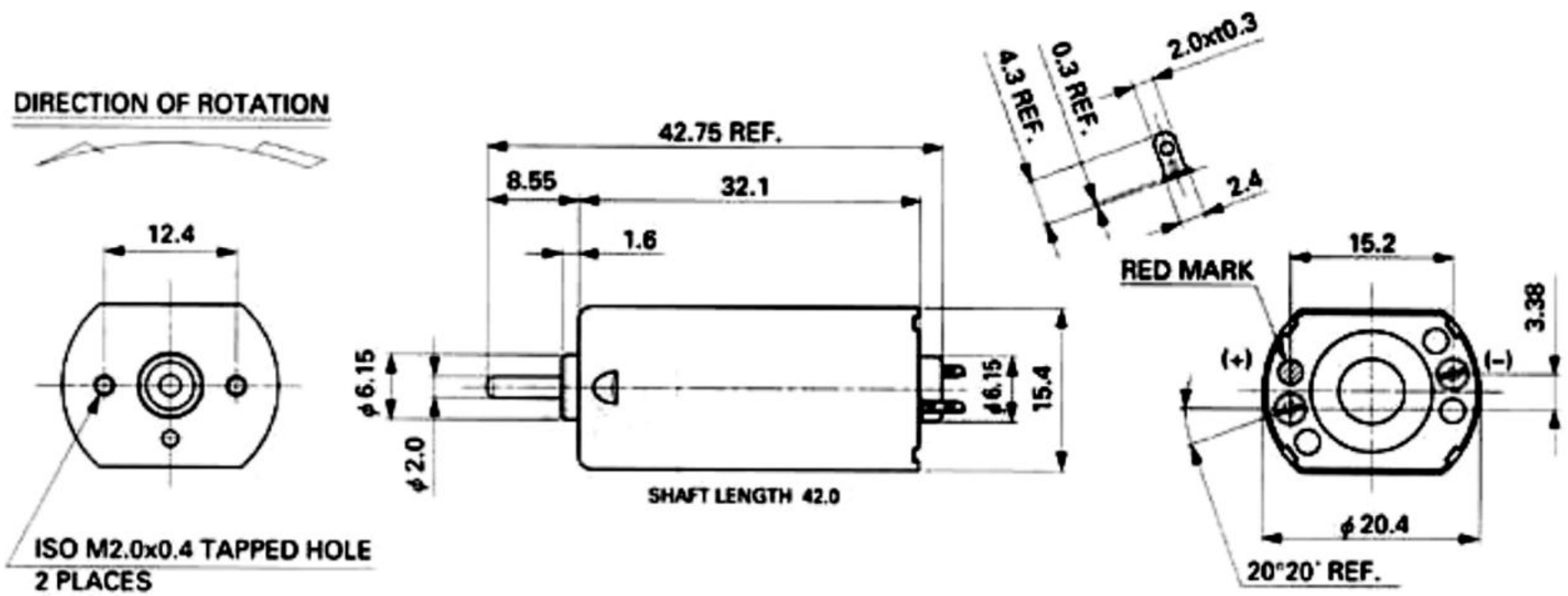


MABUCHI Small DC FF-180PH/SH



DIMENSIONS



SPECIFICATION

MODEL	VOLTAGE		NO LOAD		AT MAXIMUM EFFICIENCY					STALL		
	OPERATING RANGE	NOMINAL	SPEED	CURRENT	SPEED	CURRENT	TORQUE		OUTPUT	TORQUE		CURRENT
			r/min	A	r/min	A	g·cm	mN·m	W	g·cm	mN·m	A
FF-180PH-2852	1~3	2.4V CONST.(CCW+)	8300	0.16	6900	0.86	18	1.76	1.27	116	11.4	4.57
FF-180PH-4022	1.0~1.5	1.2V CONST.(CCW+)	9400	0.40	8000	1.80	15	1.47	1.23	107	10.5	9.90
FF-180SH-2657	1~3	2.4V CONST.(CCW+)	7700	0.13	6400	0.70	15	1.47	0.98	107	10.5	3.80
FF-180SH-10320	6~12	12V CONST.(CCW)	6500	0.028	5300	0.12	7.5	0.74	0.41	82	8.04	0.52
FF-180SH-4026	1.0~1.5	1.2V CONST.(CCW+)	8300	0.30	6900	1.60	15	1.47	1.06	106	10.4	8.55
FF-180SH-14210	3.0~7.2	4.5V CONST.(CCW)	3700	0.025	3200	0.10	7.0	0.69	0.23	63	6.17	0.63