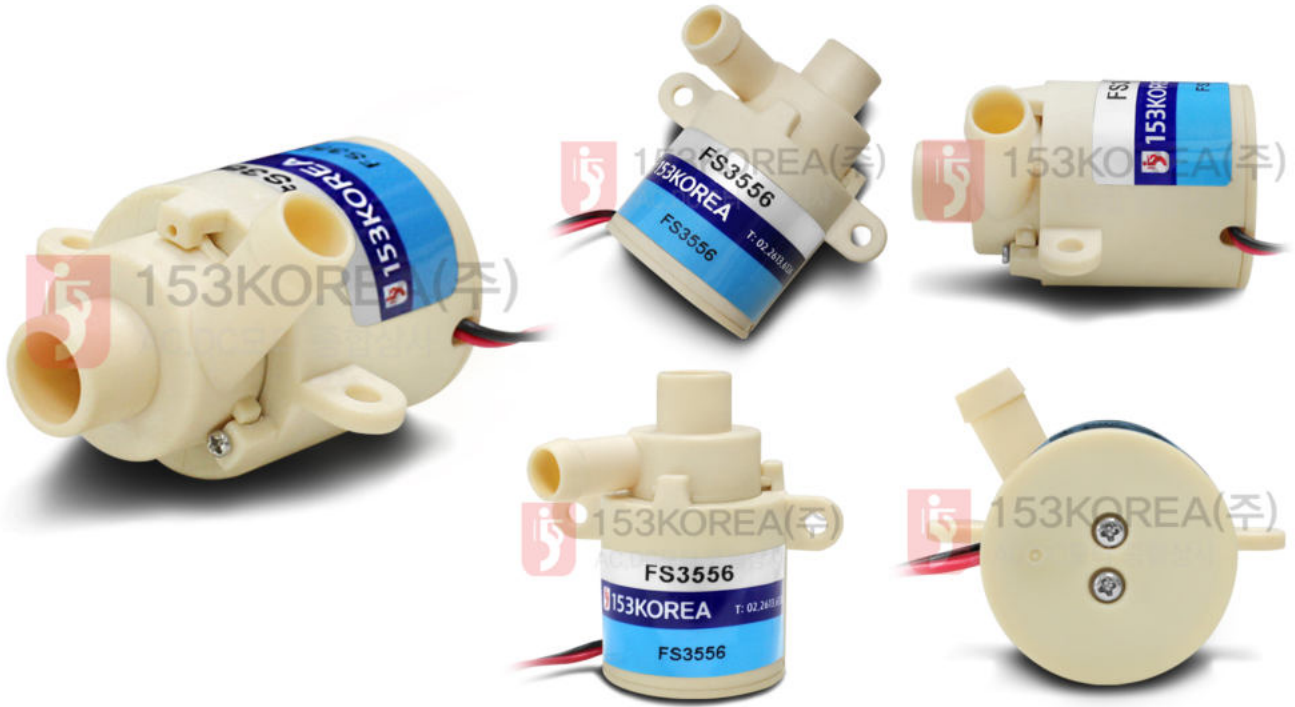
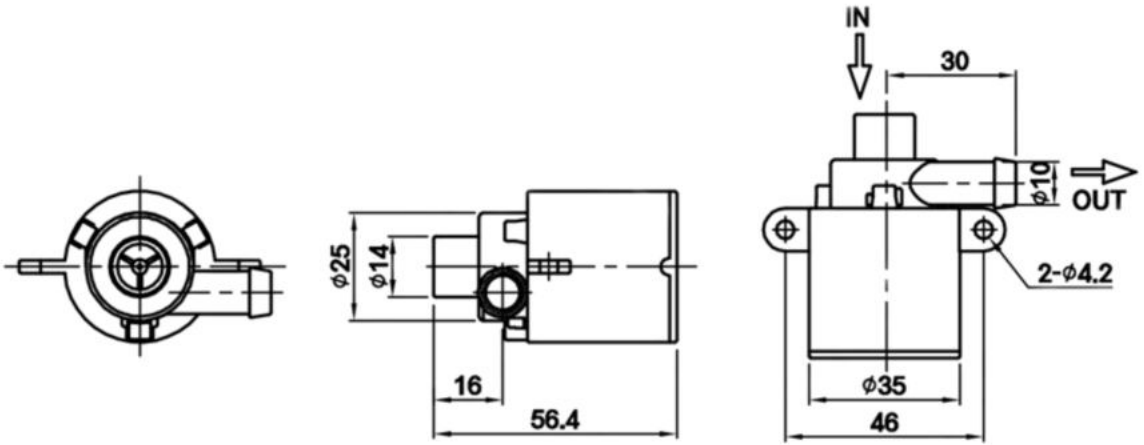


FS3556 Bldc Water Pump



DIMENSION



SPECIFICATIONS

MODEL	VOLTAGE			RATED		FLOW	RAISE ORDER	WEIGHT	OPERATING TEMPERATURE
	OPERATING RANGE	RATED	START UP	CURRENT	POWER				
				A	W	LPM	M	g	°C
FS3556-1	8~13.2	12	8	0.42	5.04	2.5	1.0 (Ø8수관)	60	0 ~ +70 (normal humidity)
FS3556-2	12~26.4	24	12	0.25	6.0	3.0	1.2 (Ø8수관)	60	0 ~ +70 (normal humidity)