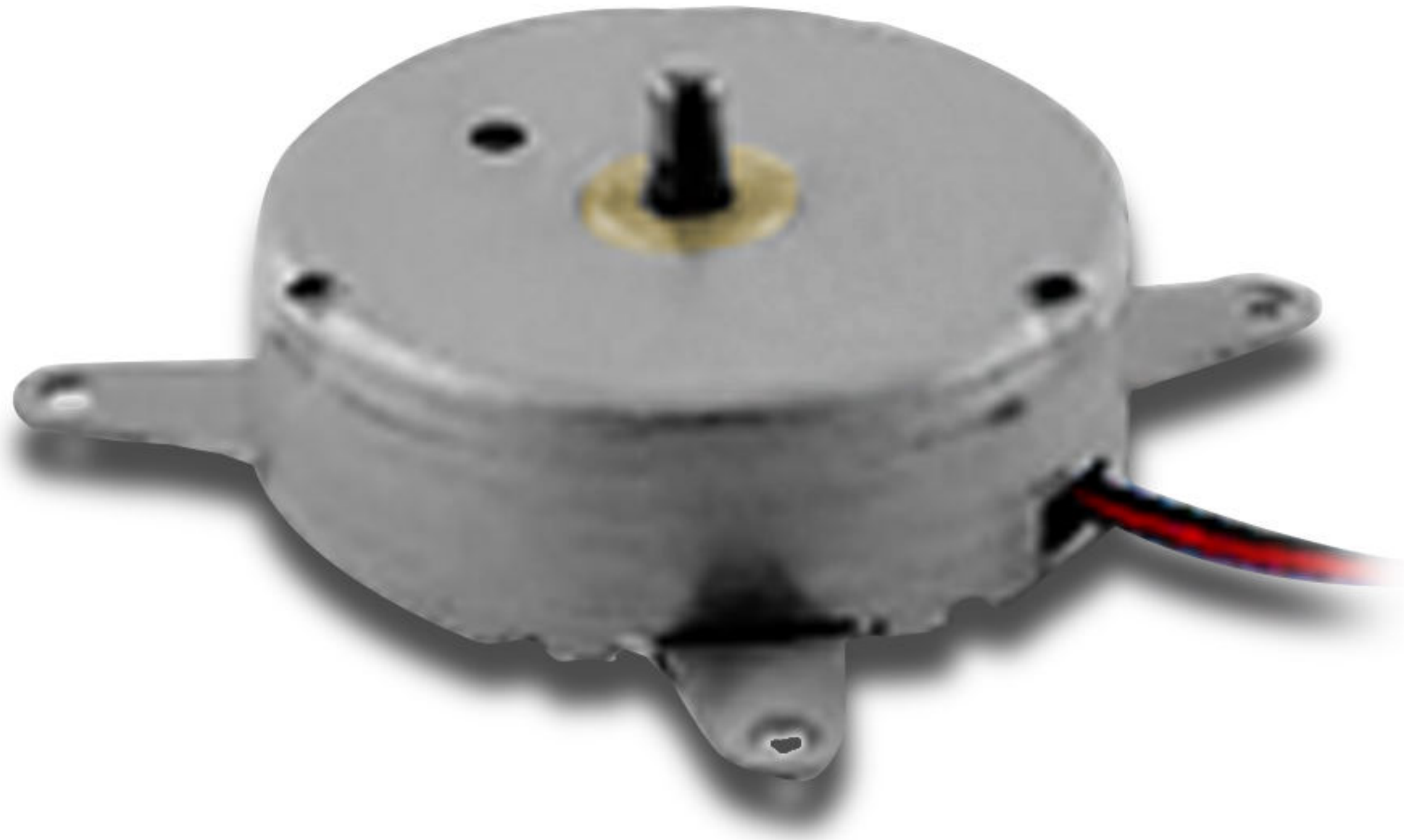
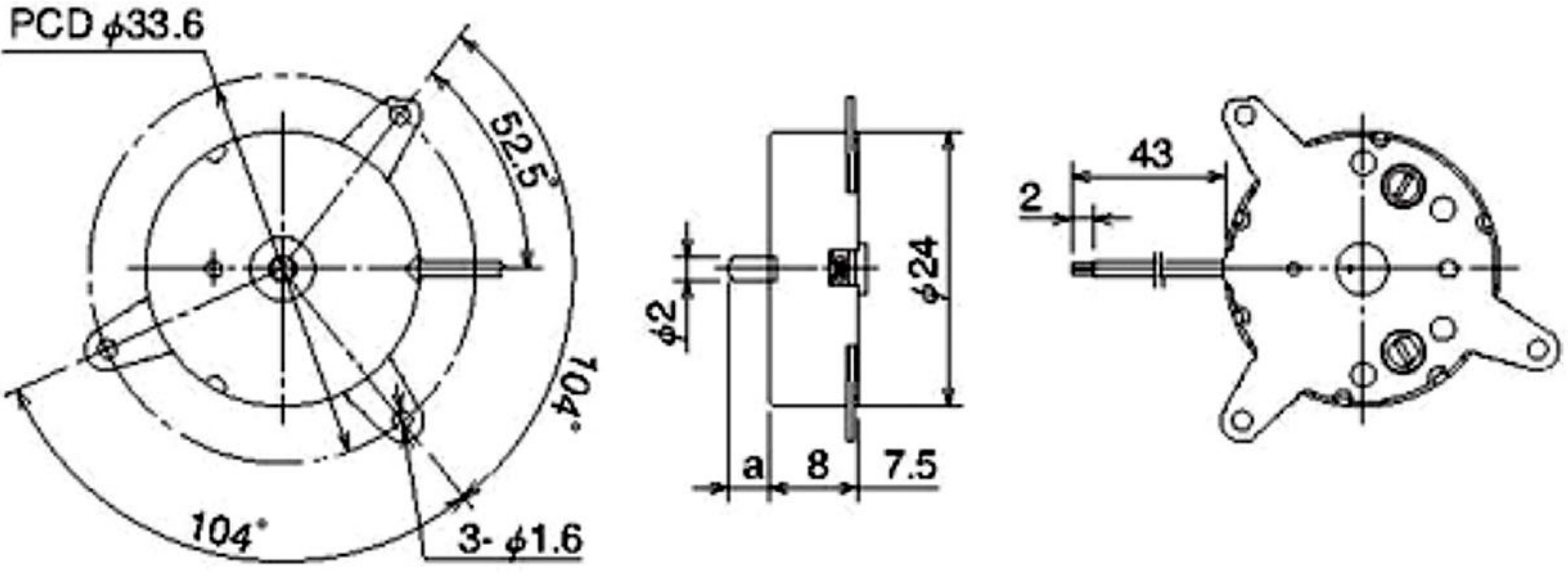


NMB Small DC Motor

MDN1H



DIMENSIONS



SPECIFICATION

MODEL	Operating Voltage (V)	Rated Voltage (V)	No Load Speed (min ⁻¹)	No Load Current (mA)	Rated Load		Rated Load Speed (min ⁻¹)	Rated Load Current (mA)	Starting Torque		Starting Current (mA)	Shaft Length (mm)
					(gf-cm)	(mN·m)			(gf-cm)	(mN·m)		
MDN1HL3SDAS	0.7 to 5	2.0	2110	15	3.0	0.294	1363	50	8.5	0.83	116	a=3.5

GRAPH

