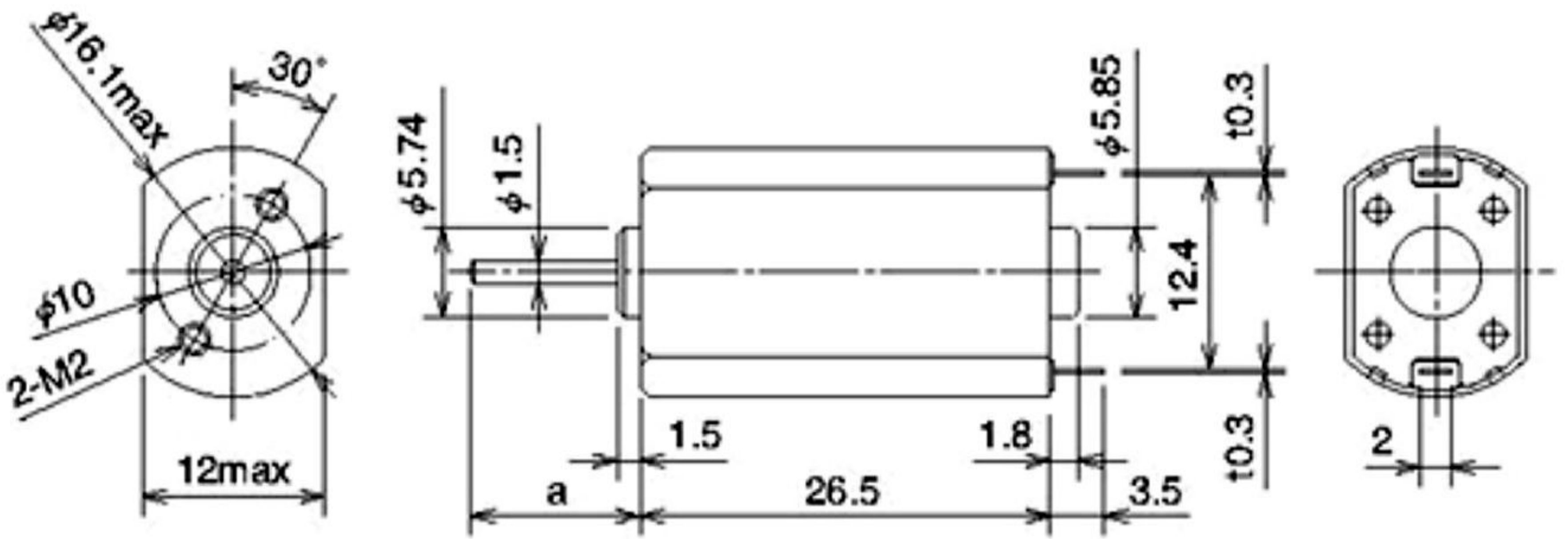


NMB Small DC Motor PPN13



DIMENSIONS



SPECIFICATION

MODEL	Operating Voltage (V)	Rated Voltage (V)	No Load Speed (min^{-1})	No Load Current (mA)	Rated Load		Rated Load Speed (min^{-1})	Rated Load Current (mA)	Starting Torque		Starting Current (mA)	Shaft Length (mm)
					(gf-cm)	(mN·m)			(gf-cm)	(mN·m)		
PPN13PB10C	2 to 9	7.4	7014	29	7.5	0.74	5677	108	39.6	3.88	442	a=11
PPN13PB11C	2 to 9	7.4	9125	34	7.5	0.74	7473	137	41.7	4.09	601	a=11
PPN13PB12C	2 to 9	5.0	7084	34	5.0	0.49	6117	114	36.6	3.59	618	a=11

GRAPH

