

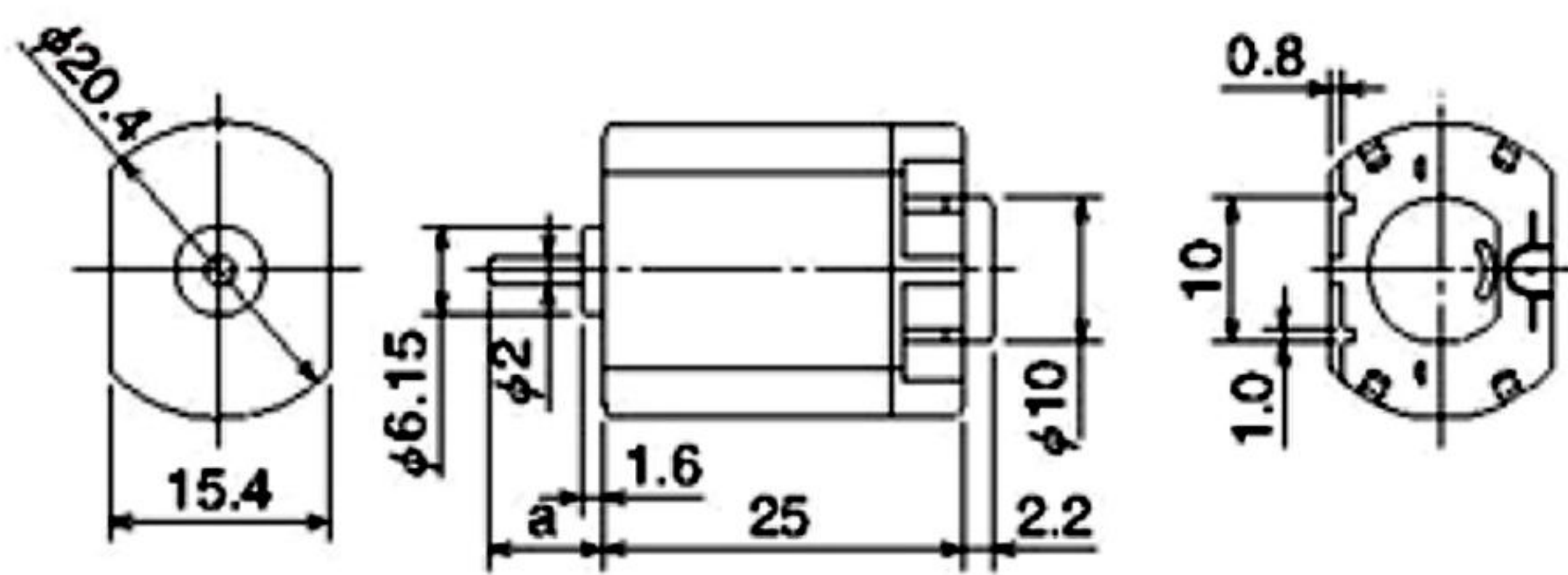
NMB Small DC Motor

PWWN 10V/17V

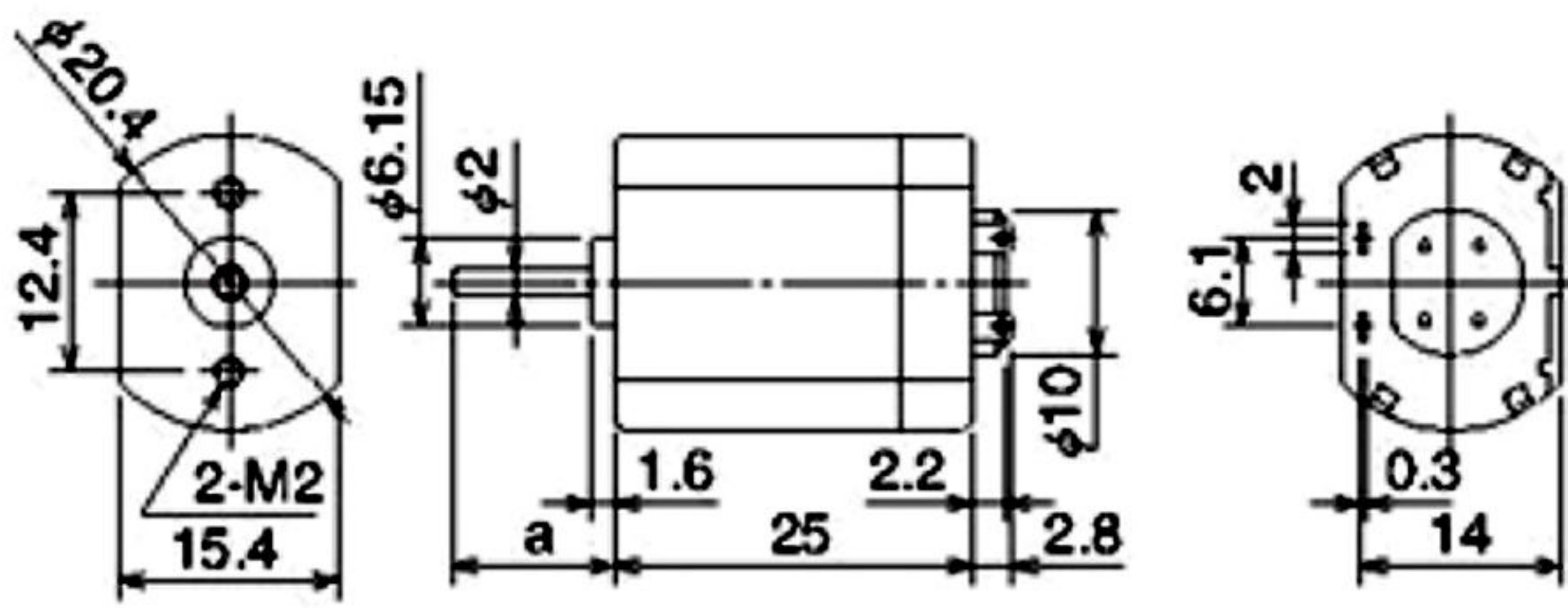


DIMENSIONS

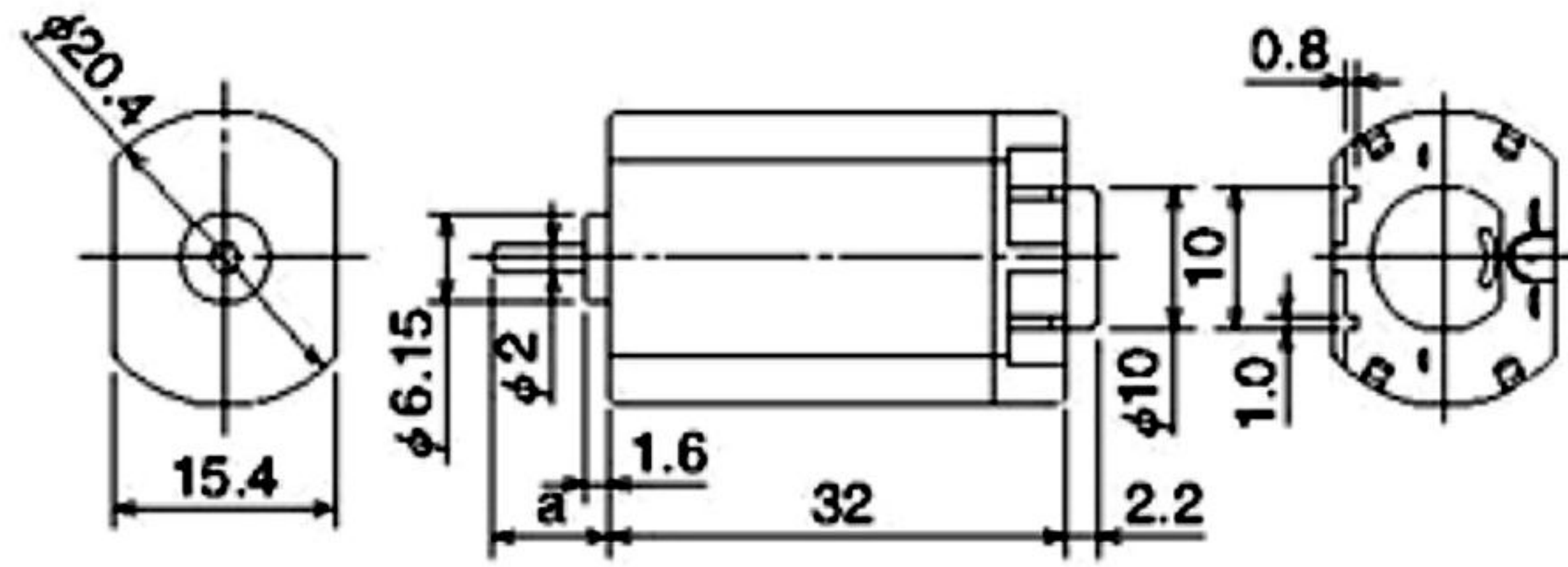
●PWN10V



●PWN10VEE (端子タイプ/Terminal type)



●PWN17V



SPECIFICATION

MODEL	Operating Voltage (V)	Rated Voltage (V)	No Load Speed (min ⁻¹)	No Load Current (mA)	Rated Load		Rated Load Speed (min ⁻¹)	Rated Load Current (mA)	Starting Torque		Starting Current (mA)	Shaft Length (mm)
					(gf·cm)	(mN·m)			(gf·cm)	(mN·m)		
PWN10VEA12BA	5 to 16	13.5	10792	42	20.4	2.0	8760	221	108.2	10.60	994	a=8.1
PWN10VEE24AA	10.8 to 26.4	24.0	13242	35	20.0	1.96	11139	159	125.9	12.34	815	a=11.3
PWN17VEA12FA	5 to 16	13.5	8669	43	25.5	2.5	6965	225	129.8	12.72	969	a=8.1

GRAPH

