

Bldc Motor

TM90N-A0133

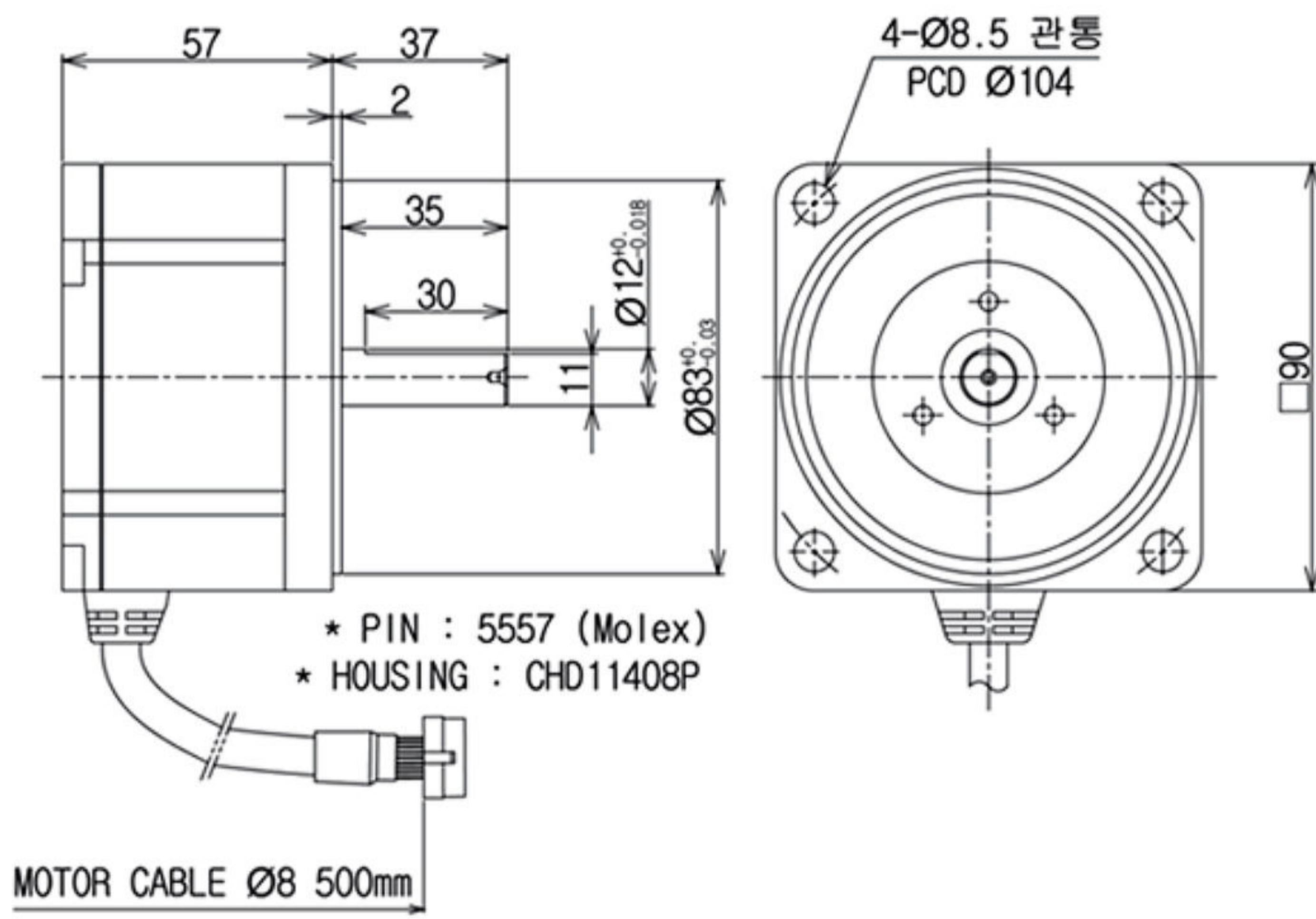


SPECIFICATION

Model 모델	Rated Power 정격출력	Applied Voltage 인가전압	Rated Speed 정격회전수	Rated Torque 정격토크	Rated Current 정격전류	Insulation Class 절연등급
	W	V	RPM	N-m	A	
TM90N-A0133	120	AC220	3,000	0.38	0.5	B

■ Using condition -20°C ~ 40°C / 20~80% RH

DIMENSIONS



핀맵 / PIN ASSIGNMENT

1	2	3	4	5	6
WT	FG		YL	BU	WT
W			Hw	Hv	Hu
RED	BK			RED	BK
V	U			+15V	GND
7	8	9	10	11	12

CHARACTERISTICS

