

# Bldc Motor

## TM90N-D0131

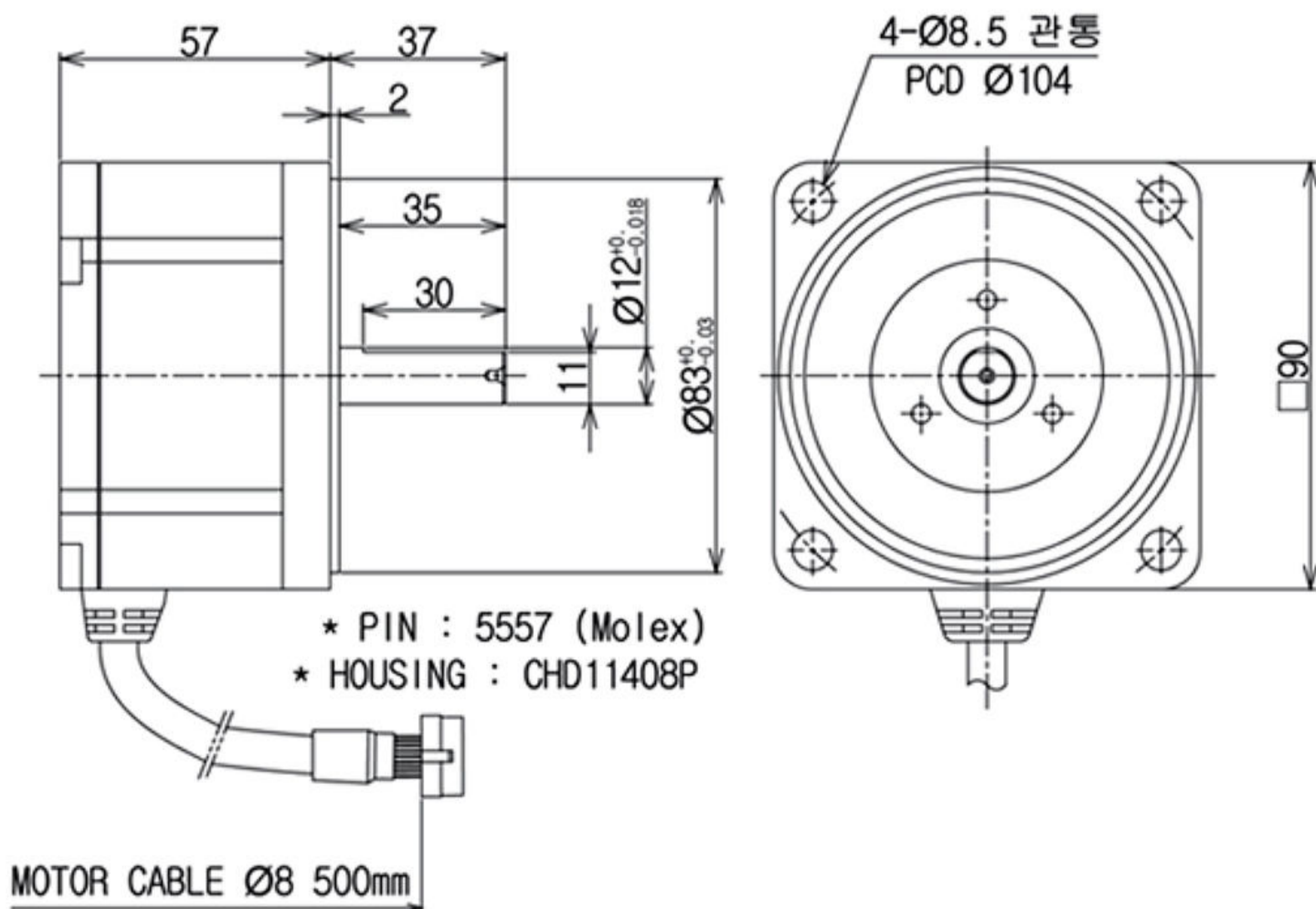


### SPECIFICATION

Model 모델	Rated Power 정격출력	Applied Voltage 인가전압	Rated Speed 정격회전수	Rated Torque 정격토크	Rated Current 정격전류	Insulation Class 절연등급
	W	V	RPM	N-m	A	
TM90N-A0133	120	DC24	3,000	0.38	6.0	B

■ Using condition -20°C ~ 40°C / 20~80% RH

### DIMENSIONS



### 핀맵 / PIN ASSIGNMENT

1	2	3	4	5	6
WT W	FG		YL Hw	BU Hv	WT Hu
RED V	BK U			RED +15V	BK GND
7	8	9	10	11	12

### CONNECTION

