

Thermal Protection

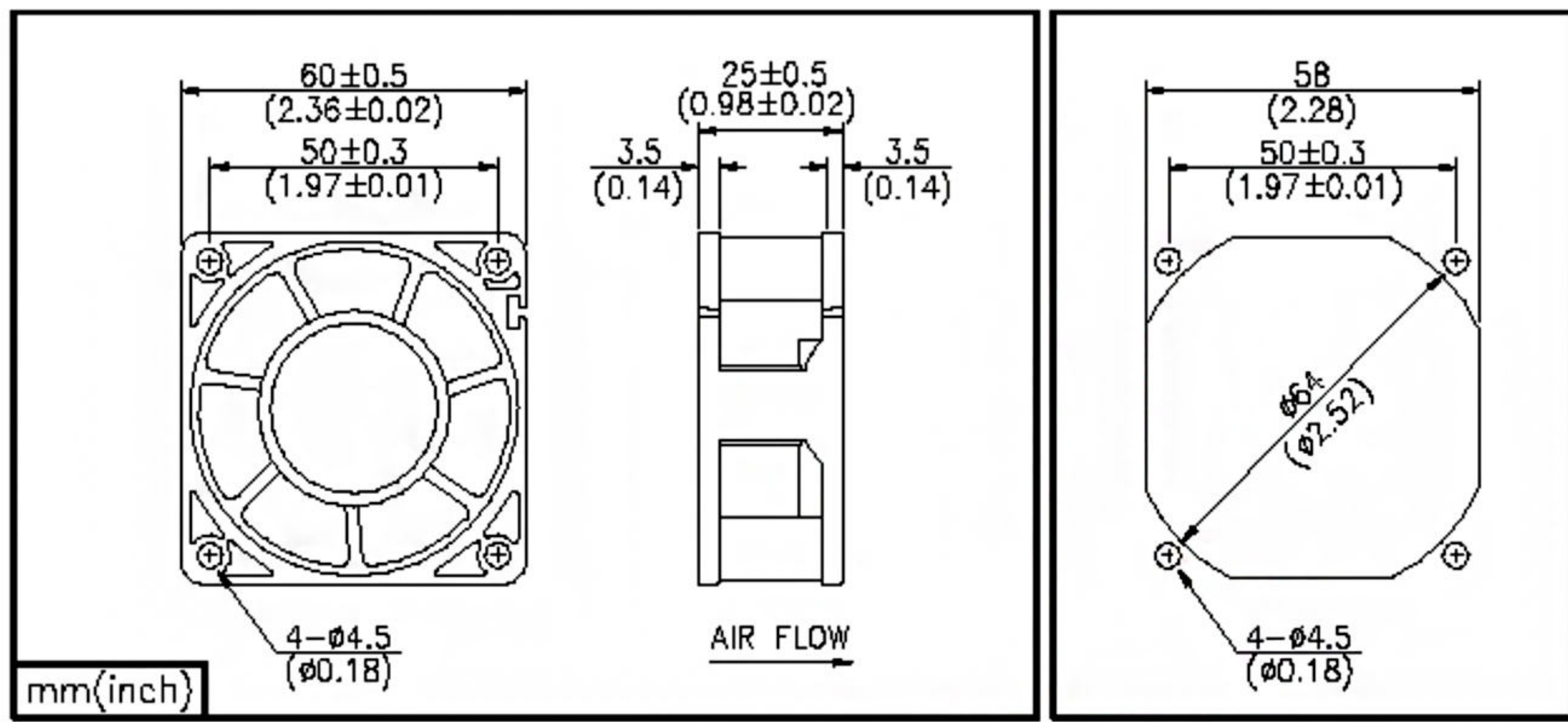
80mm square x 15mm (Great)



제품사진



외형도



SPECIFICATION

Model	Voltage [VDC]	Start Voltage [VDC]	Current [mA]	Power [W]	Speed [rpm±10%]	Air Flow [m3/min]/[CFM]	Static Pressure[mmH2O] / [inH2O]	Sound Noise [dBA]
G8015S05-G	5	4	180	0.9	2,800	0.73 / 26	2.14 / 0.08	29
G8015L05-G	5	4	280	1.4	3,200	0.82 / 29	2.74 / 0.11	32
G8015M05-G	5	4	360	1.8	3,600	0.92 / 32	3.36 / 0.13	34
G8015H05-G	5	4	430	2.15	4,000	0.99 / 35	3.97 / 0.16	36
G8015E05-G	5	4	550	2.75	4,400	1.11 / 39	4.69 / 0.18	38
G8015S12-G	12	8	80	0.96	2,800	0.73 / 26	2.14 / 0.08	29
G8015L12-G	12	8	120	1.44	3,200	0.82 / 29	2.74 / 0.11	32
G8015M12-G	12	8	150	1.8	3,600	0.92 / 32	3.36 / 0.13	34
G8015H12-G	12	8	180	2.16	4,000	0.99 / 35	3.97 / 0.16	36
G8015E12-G	12	8	230	2.76	4,400	1.11 / 39	4.69 / 0.18	38
G8015X12-G	12	8	300	3.6	4,800	1.20 / 42	5.12 / 0.20	40
G8015L24-G	24	18	75	1.8	3,200	0.82 / 29	2.74 / 0.11	32
G8015M24-G	24	15	90	2.16	3,600	0.92 / 32	3.36 / 0.13	34
G8015H24-G	24	15	120	2.88	4,000	0.99 / 35	3.97 / 0.16	36
G8015E24-G	24	15	150	3.6	4,400	1.11 / 39	4.69 / 0.18	38
G8015X24-G	24	15	180	4.32	4,800	1.20 / 42	5.12 / 0.20	40