

# Thermal Protection

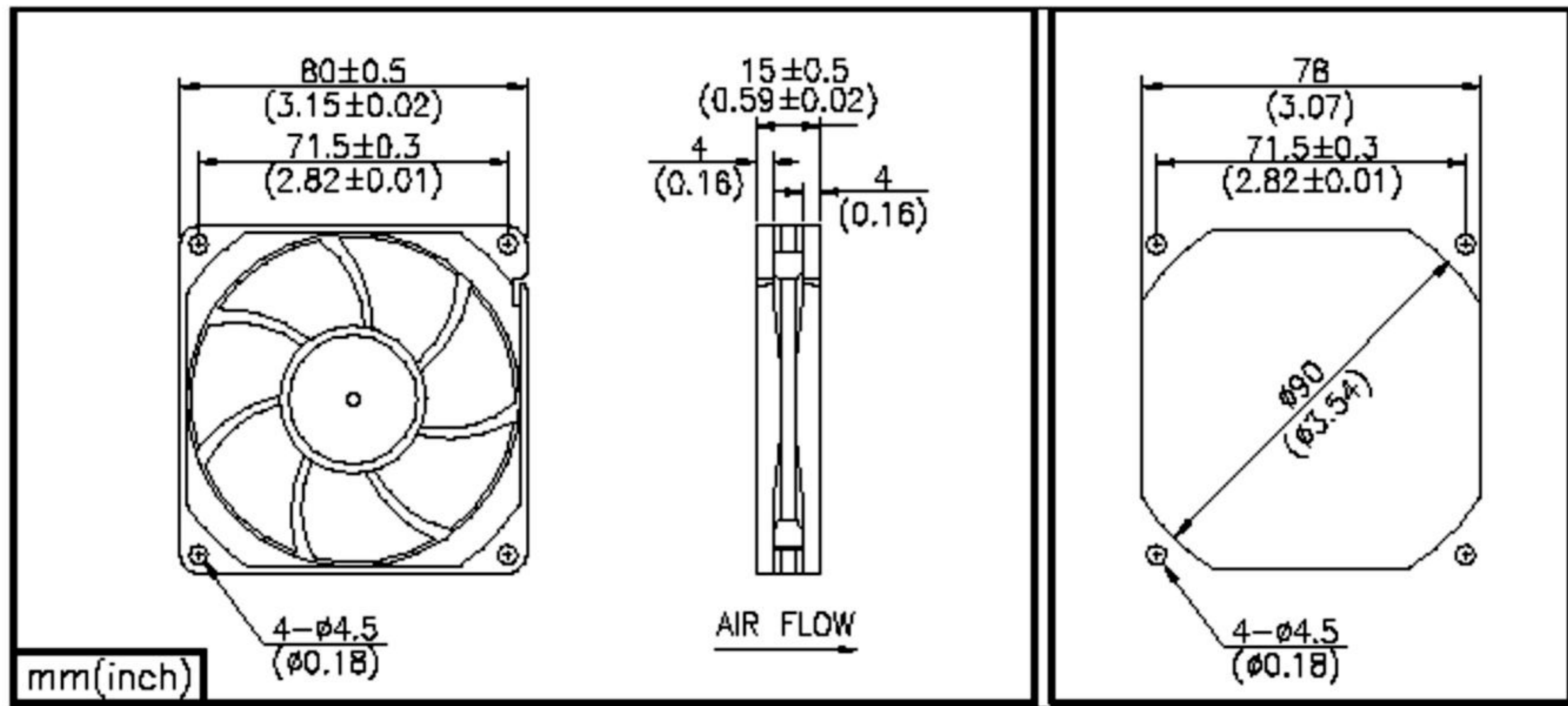
## 80mm square x 15mm(HP)



### 제품사진



### 외형도



### SPECIFICATION

Model	Voltage [VDC]	Start Voltage [VDC]	Current [mA]	Power [W]	Speed [rpm+/-10%]	Air Flow [m3/min]/[CFM]	Static Pressure[mmH2O] /[inH2O]	Sound Noise [dBA]
G8015S05-HP	5	4	180	0.9	2,000	0.60 / 21	1.60 / 0.06	21
G8015L05-HP	5	4	280	1.4	2,400	0.72 / 25	2.17 / 0.09	24
G8015M05-HP	5	4	360	1.8	2,800	0.85 / 30	2.85 / 0.11	27
G8015H05-HP	5	4	430	2.15	3,200	0.98 / 35	3.58 / 0.14	30
G8015E05-HP	5	4	550	2.75	3,600	1.12 / 40	4.25 / 0.17	33
G8015S12-HP	12	8	80	0.96	2,000	0.60 / 21	1.60 / 0.06	21
G8015L12-HP	12	8	120	1.44	2,400	0.72 / 25	2.17 / 0.09	24
G8015M12-HP	12	8	150	1.8	2,800	0.85 / 30	2.85 / 0.11	27
G8015H12-HP	12	8	180	2.16	3,200	0.98 / 35	3.58 / 0.14	30
G8015E12-HP	12	8	230	2.76	3,600	1.12 / 40	4.25 / 0.17	33
G8015X12-HP	12	8	300	3.6	4,000	1.28 / 45	4.90 / 0.19	37
G8015L24-HP	24	18	75	1.8	2,400	0.72 / 25	2.17 / 0.09	24
G8015M24-HP	24	15	90	2.16	2,800	0.85 / 30	2.85 / 0.11	27
G8015H24-HP	24	15	120	2.88	3,200	0.98 / 35	3.58 / 0.14	30
G8015E24-HP	24	15	150	3.6	3,600	1.12 / 40	4.25 / 0.17	33
G8015X24-HP	24	15	180	4.32	4,000	1.28 / 45	4.90 / 0.19	37