

# Thermal Protection

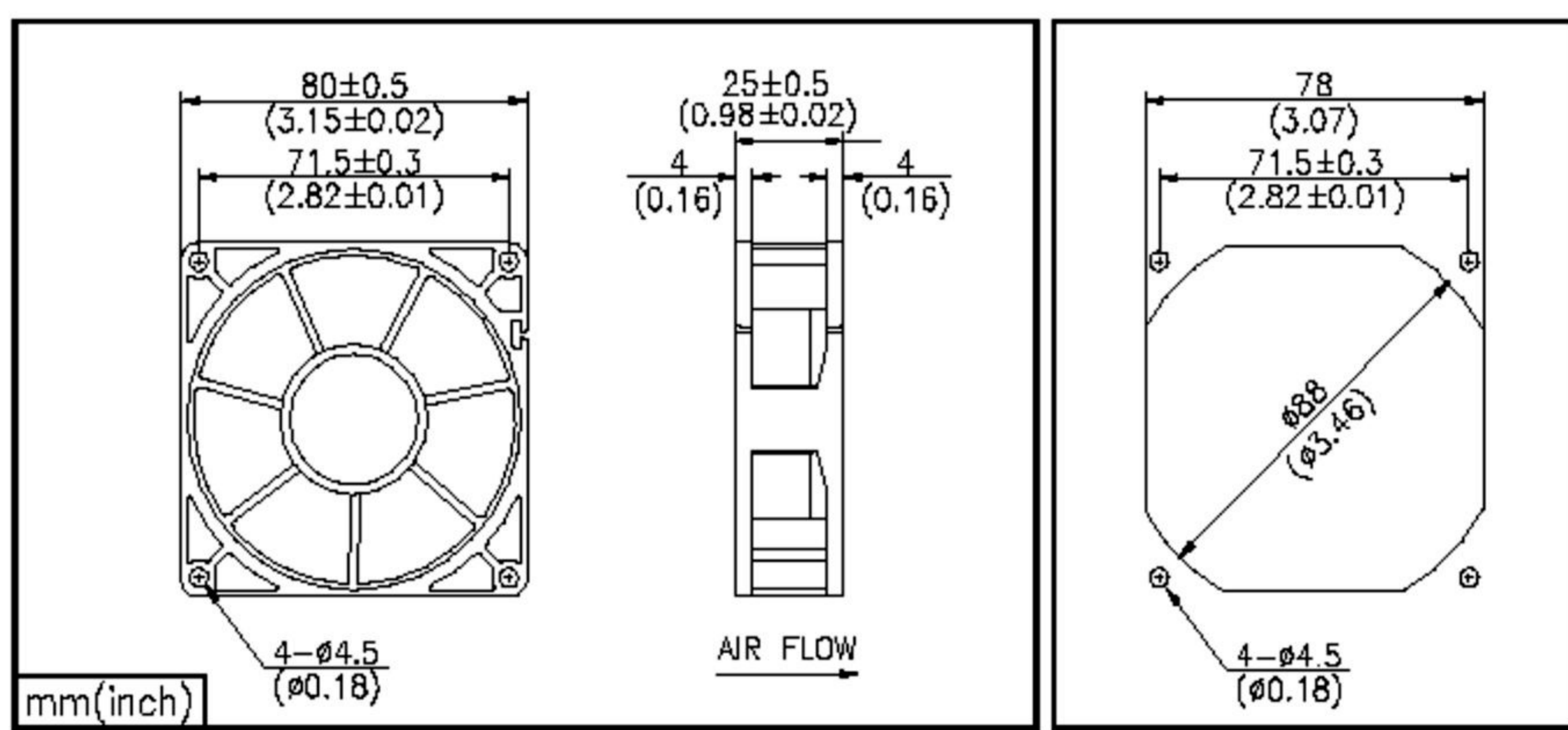
## 80mm square x 25mm(HP)



### 제품사진



### 외형도



### SPECIFICATION

Model	Voltage [VDC]	Start Voltage [VDC]	Current [mA]	Power [W]	Speed [rpm+/-10%]	Air Flow [m3/min]/[CFM]	Static Pressure[mmH2O] /[inH2O]	Sound Noise [dBA]
F8025S12-HP	12	8	75	0.9	2,000	0.75 / 26	1.79 / 0.07	22
F8025L12-HP	12	8	90	1.08	2,400	0.87 / 31	2.62 / 0.10	26
F8025M12-HP	12	8	120	1.44	2,800	1.00 / 35	3.17 / 0.12	29
F8025H12-HP	12	8	145	1.74	3,200	1.14 / 40	4.32 / 0.17	32
F8025E12-HP	12	8	240	2.88	3,600	1.31 / 46	5.36 / 0.21	35
F8025X12-HP	12	8	480	5.76	4,200	1.49 / 53	6.48 / 0.26	39
F8025S24-HP	24	15	50	1.2	2,000	0.75 / 26	1.79 / 0.07	22
F8025L24-HP	24	15	60	1.44	2,400	0.87 / 31	2.62 / 0.10	26
F8025M24-HP	24	15	80	1.92	2,800	1.00 / 35	3.17 / 0.12	29
F8025H24-HP	24	15	90	2.16	3,200	1.14 / 40	4.32 / 0.17	32
F8025E24-HP	24	15	140	3.36	3,600	1.31 / 46	5.36 / 0.21	35
F8025X24-HP	24	15	260	6.24	4,200	1.49 / 53	6.48 / 0.26	39