

Thermal Protection

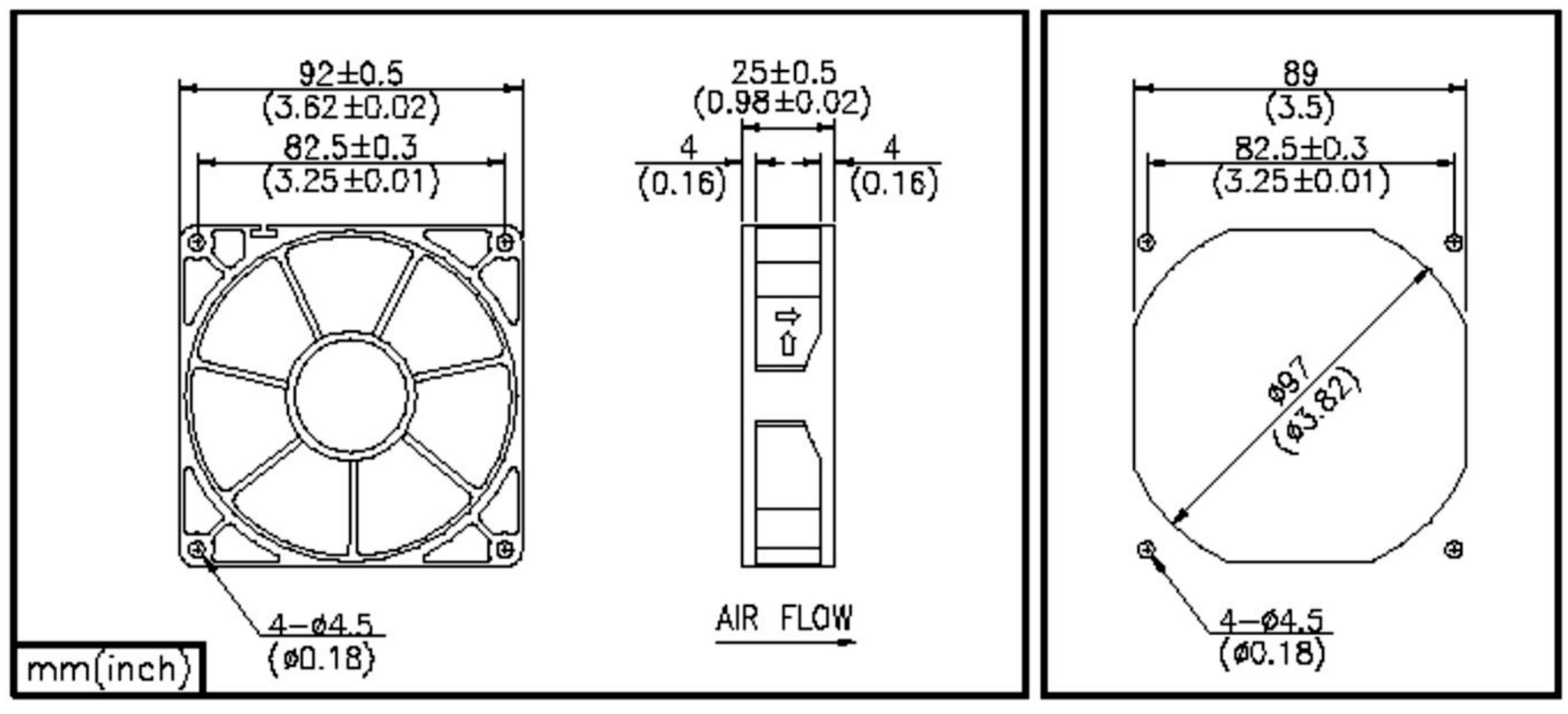
G 92mm square x 25mm



제품사진



외형도



SPECIFICATION

Model	Voltage [VDC]	Start Voltage [VDC]	Current [mA]	Power [W]	Speed [rpm+/-10%]	Air Flow [m3/min]/[CFM]	Static Pressure[mmH2O] /[inH2O]	Sound Noise [dBA]
G9225S12	12	8	90	1.08	1,600	0.71 / 25	1.55 / 0.06	23
G9225L12	12	8	140	1.68	2,000	0.96 / 34	2.24 / 0.09	27
G9225M12	12	8	200	2.4	2,400	1.18 / 42	3.08 / 0.12	32
G9225H12	12	8	280	3.36	2,800	1.41 / 50	4.12 / 0.16	36
G9225E12	12	8	370	4.44	3,200	1.63 / 58	5.23 / 0.21	39
G9225X12	12	8	490	5.88	3,600	1.86 / 66	6.21 / 0.24	42
G9225S24	24	15	60	1.44	1,600	0.71 / 25	1.55 / 0.06	23
G9225L24	24	15	90	2.16	2,000	0.96 / 34	2.24 / 0.09	27
G9225M24	24	15	120	2.88	2,400	1.18 / 42	3.08 / 0.12	32
G9225H24	24	15	160	3.84	2,800	1.41 / 50	4.12 / 0.16	36
G9225E24	24	15	200	4.8	3,200	1.63 / 58	5.23 / 0.21	39
G9225X24	24	15	290	6.96	3,600	1.86 / 66	6.21 / 0.24	42