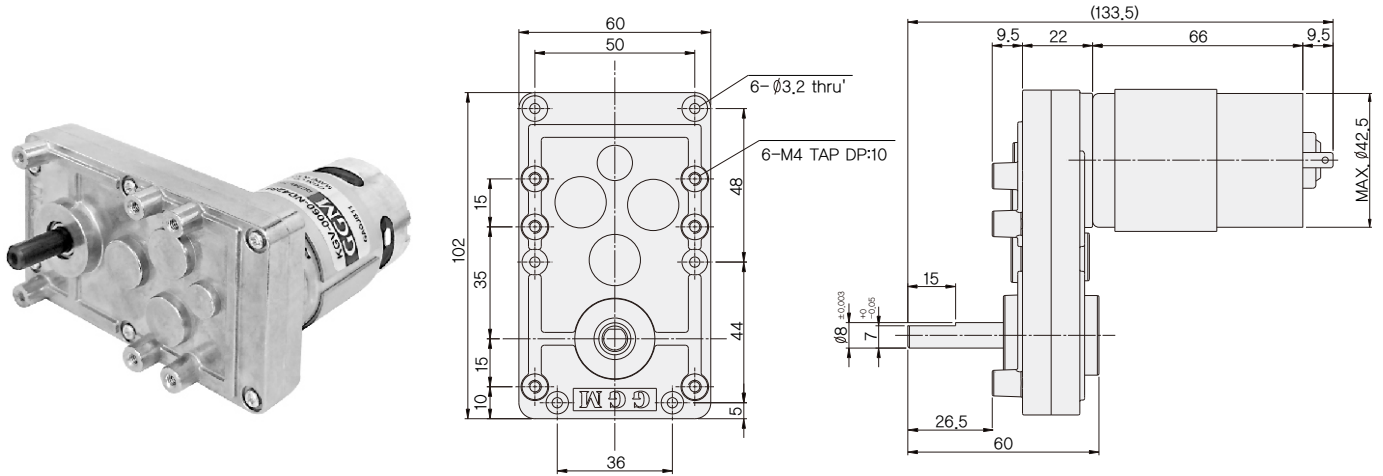


KGV-TYPE

DIMENSIONS

KGV-4266 SERIES



MOTOR PERFORMANCE DATA

MODEL	ITEM	VOLTAGE (DC)	NO LOAD		AT MAX. EFF.		STALL		
			mA	rpm	gf-cm	A	rpm	A	kgf-cm
KD4266T1		12V	1	7000	520	3.8	5900	24	3.8
KD4266T2		24V	0.5			1.8		13	4.3

AT MAXIMUM EFFICIENCY

GEAR	MODEL	KD4266T1		KD4266T2	
		DC 12V		DC 24V	
		rpm	kgf-cm	rpm	kgf-cm
1/60		98	18	98	18
1/90		65	20	65	20
1/105		56	20	56	20

* MOTOR 의 (+)단자에 (+)전원인가시 출력축 C.W 회전.