

Synchronous Motor

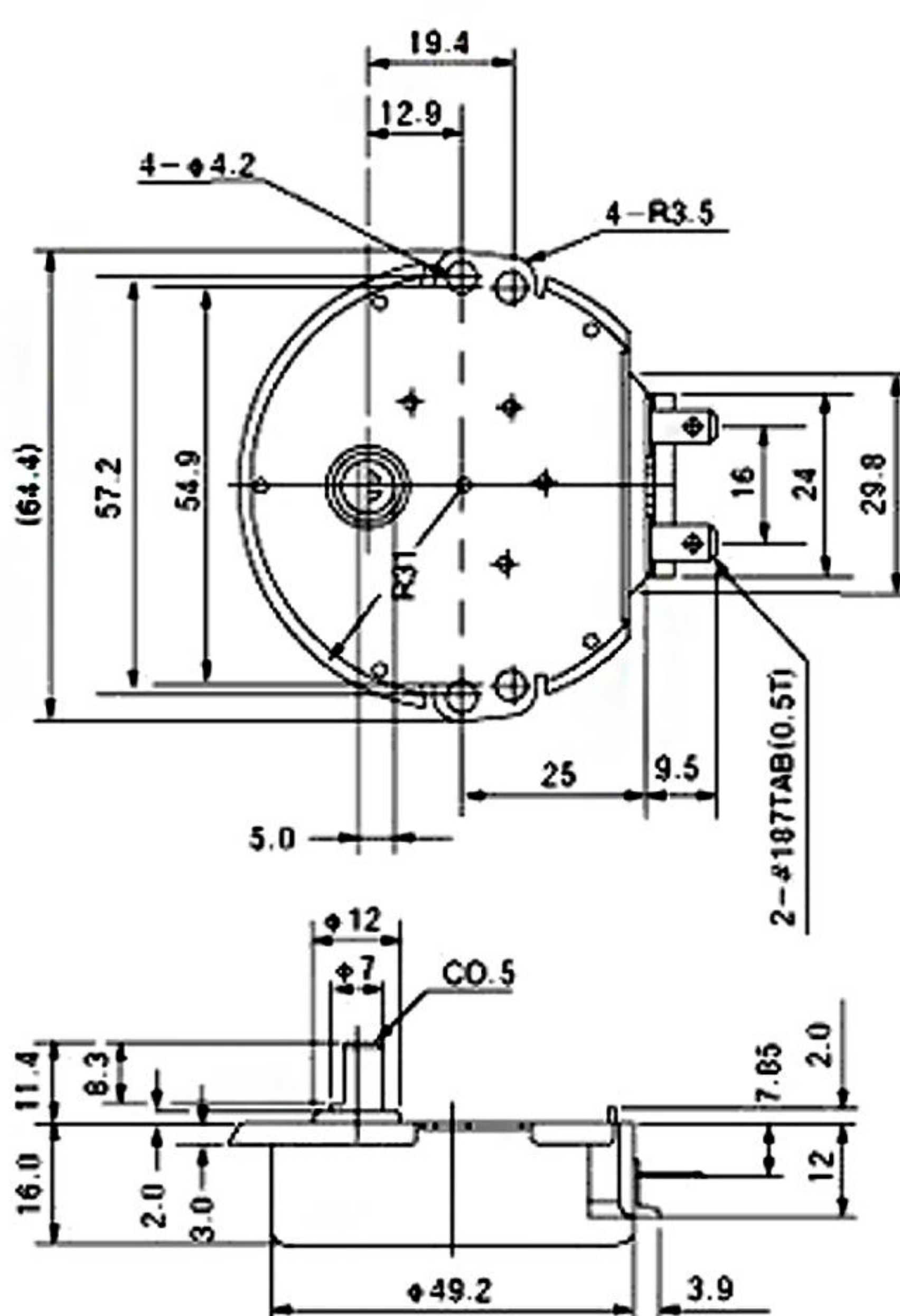
SSM-16HR



제품사진



DIMENSION



SPECIFICATION

ITEM	SPECIFICATION					
RATED VOLTAGE	AC21, 100, 120, 220-240V					
FREQUENCY	50, 60, 50/60Hz					
STANDARD SPEED	50Hz	2.5	3.3	4.2	5	
	60Hz	3	4	5.1	6	
STALLING TORQUE	7.0 6.0 5.0 4.0 kgf-Cm Min					
INPUT POWER	3.0 4.0W MAX					
TERMINAL SHAPE	TAB 187 (t0.5, 0.8)					
MATERIAL OF SHAFT	MOLD TYPE, METAL TYPE					
APPLICATION	MICROWAVE OVEN Etc					